



Green Passion

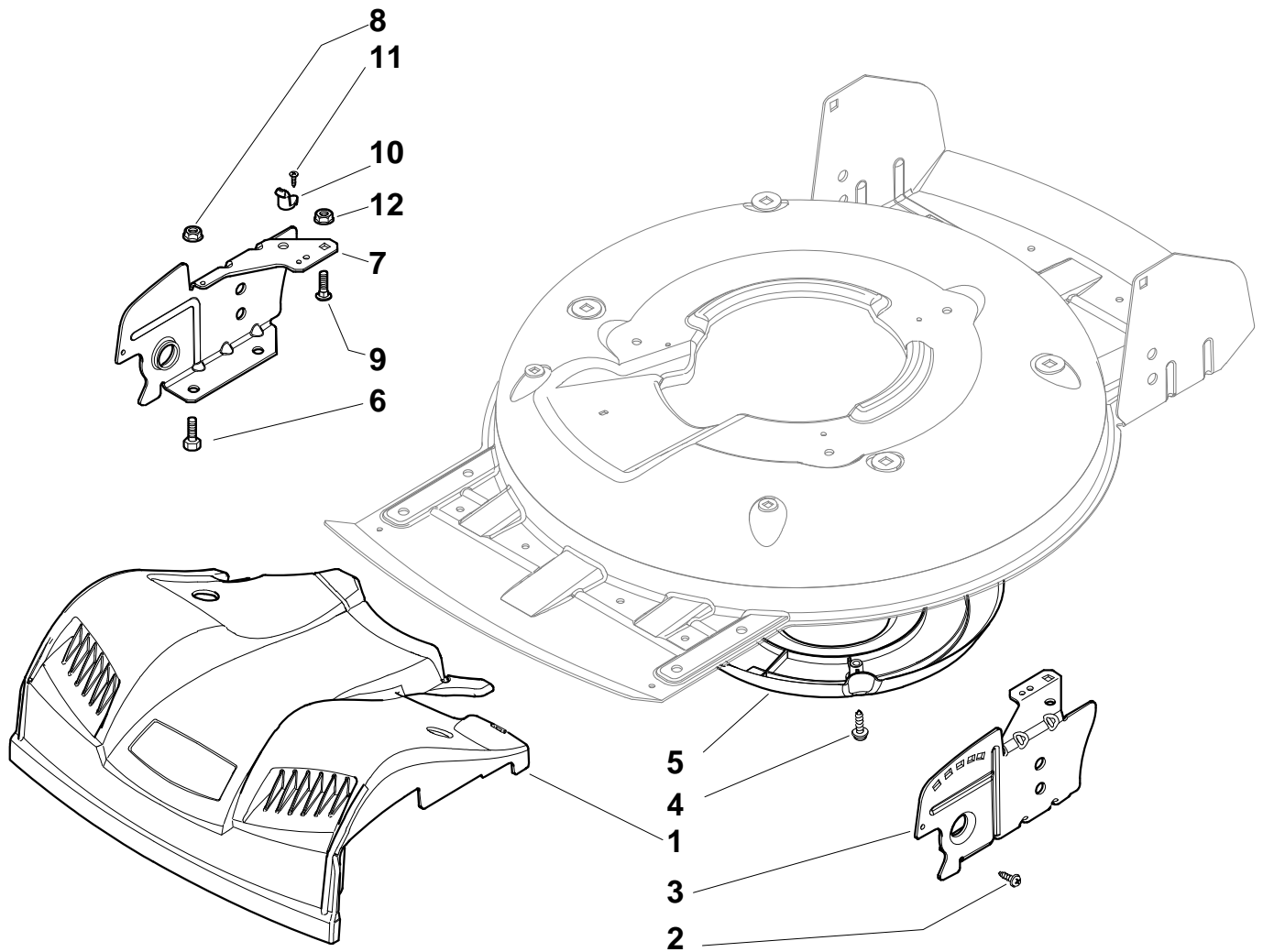
Illustrated Parts List

**XSIM 52 HS 4 INOX - Model Year
2009**

- Use GLOBAL GARDEN PRODUCT Genuine Spare Parts specified in the parts list for repair and/or replacement.
- The contents described in the parts list may change due to improvement.
- The drawings of the spare parts are only indicative and might not represent the part in question exactly.
- The indications "right" - "left" - "front" - "rear" refer to the position of the operator when using the machine.
- When placing orders of parts for repair and/or replacement, make sure that the illustrated parts list is the one applying to the machine's year of manufacture, as shown on the identification plate attached to the machine.

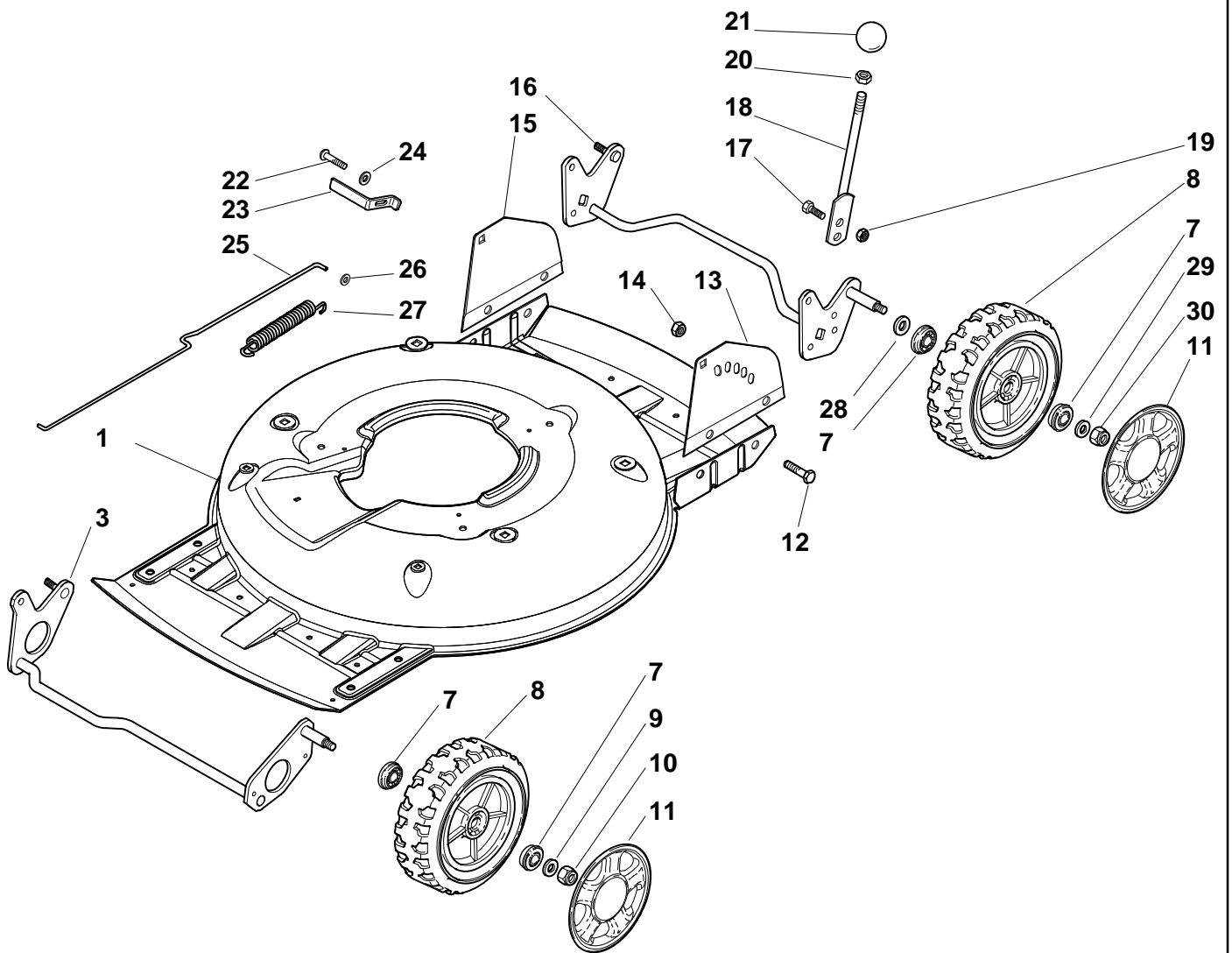
COPYRIGHT by GLOBAL GARDEN PRODUCTS

All rights reserved. No part of this material may be reproduced or transmitted, in any form or by any means, electronic or mechanical, including photocopying, recording or by any information storage and retrieval system, without permission in writing from GLOBAL GARDEN PRODUCTS.

Chassis


Pos.	Part no.	Q.ty	Description	Remarks
1	322226098/1	1	Mask, Grey	
2	12728523/0	2	Screw	
3	22778421/0	1	Bracket, L	
4	12728530/0	3	Screw	
5	22060220/0	1	Protection	
6	12792611/0	4	Screw	
7	22778419/0	1	Bracket, R	
8	12293201/0	4	Nut	
9	12815200/0	2	Screw	
10	22020400/0	2	Fairlead	
11	12728523/0	2	Screw	
12	12292102/0	2	Nut	

Chassis/Wheels And Height Adjusting



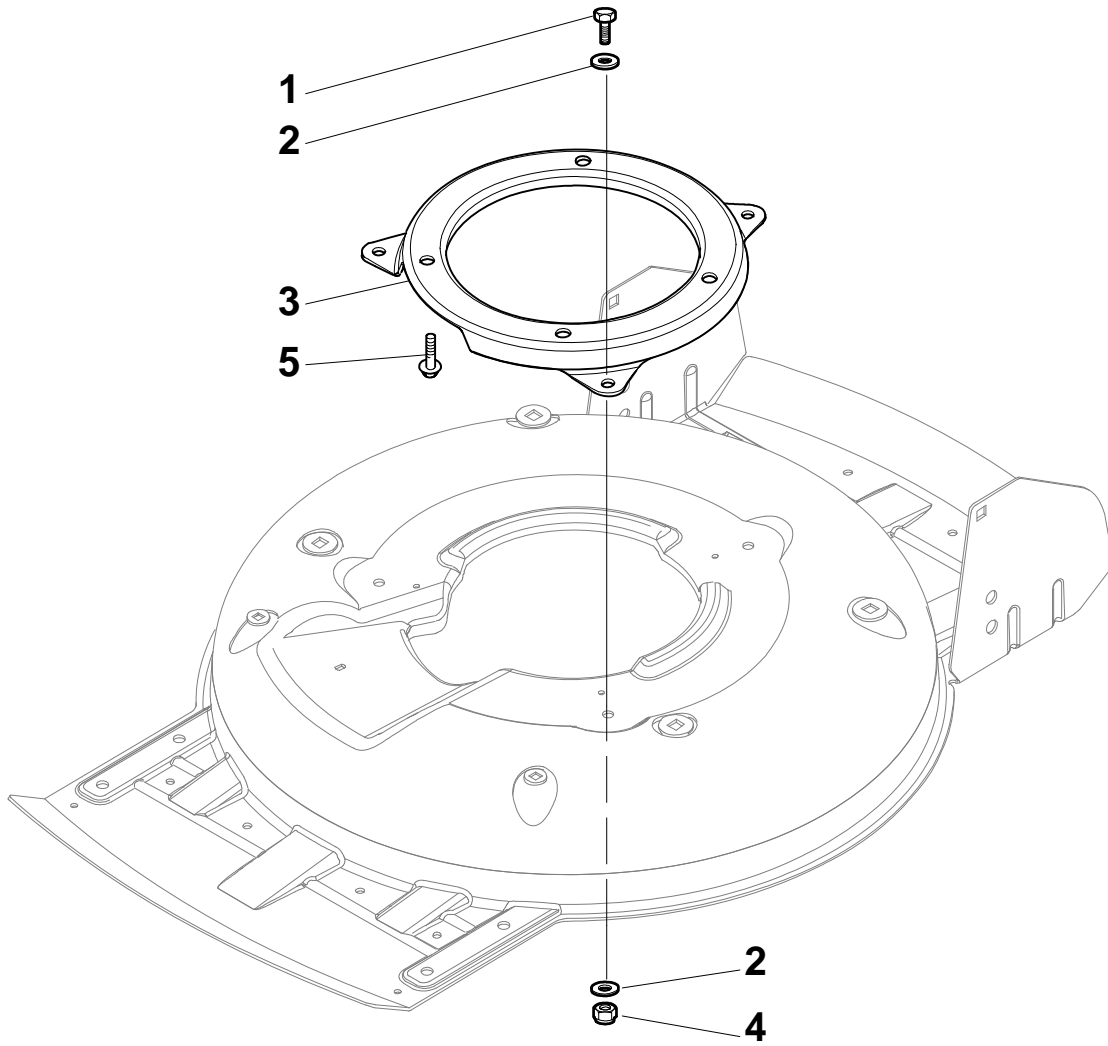


XSIM 52 HS 4 INOX - Model Year 2009

Chassis/Wheels And Height Adjusting

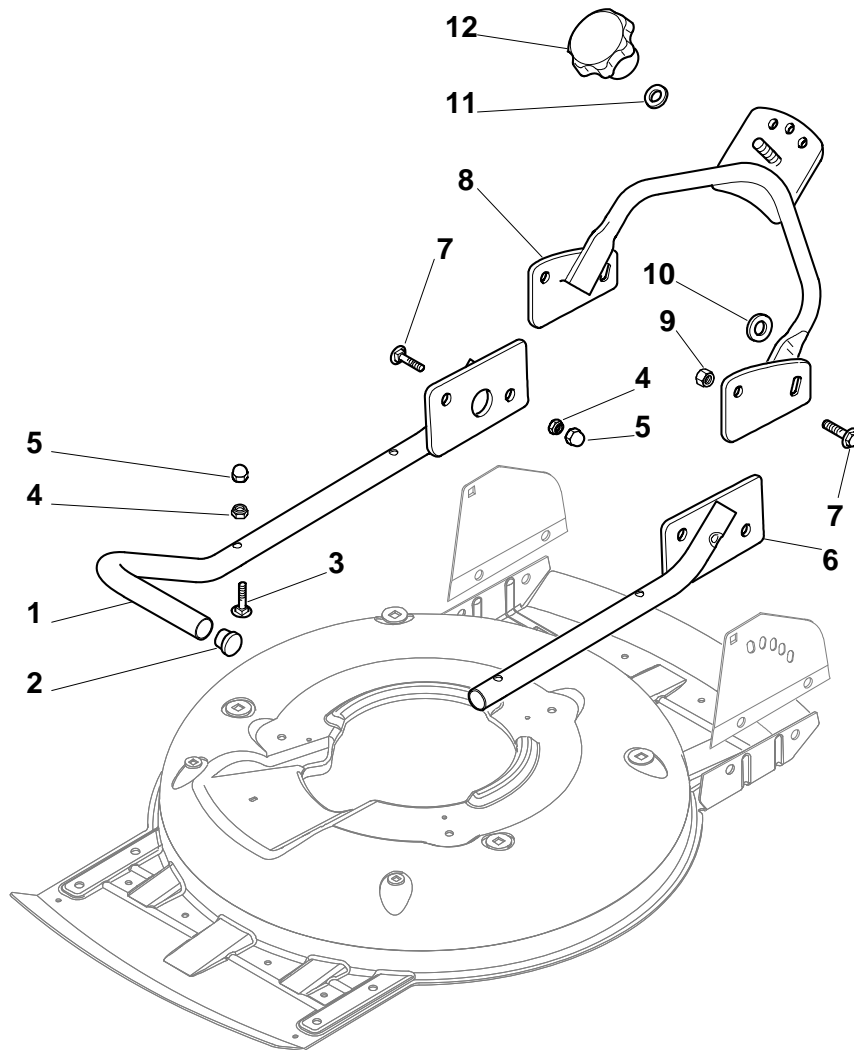
Pos.	Part no.	Q.ty	Description	Remarks
1	322064691/0	1	Deck INOX	
3	81002849/0	1	Axle, Front Wheels	
7	22122200/0	8	Bearing	
8	81007343/0	4	Wheel R 210	
9	12369500/0	2	Elastic Washer	
10	12155000/0	2	Nut	
11	22110382/0	4	Hub Cap	
12	12791011/0	4	Screw	
13	322545169/0	1	Left Plate, INOX	
14	12154510/0	4	Nut	
15	322545167/0	1	Right Plate, INOX	
16	81002851/0	1	Axle, Rear Wheels	
17	12789000/0	2	Screw	
18	81003323/0	1	Lever, Height Adjustment	
19	12154330/0	2	Nut	
20	12293200/0	1	Nut	
21	22399812/0	1	Knob	
22	12735661/0	2	Screw	
23	22551529/0	2	Plate	
24	12521330/0	2	Washer	
25	22033329/0	1	Rod, Height Adjustment Control	
26	12604899/0	2	Crown Fastener	
27	22446184/0	1	Spring	
28	12530150/0	2	Washer	
29	12521350/0	2	Washer	
30	12155000/0	2	Nut	

Support



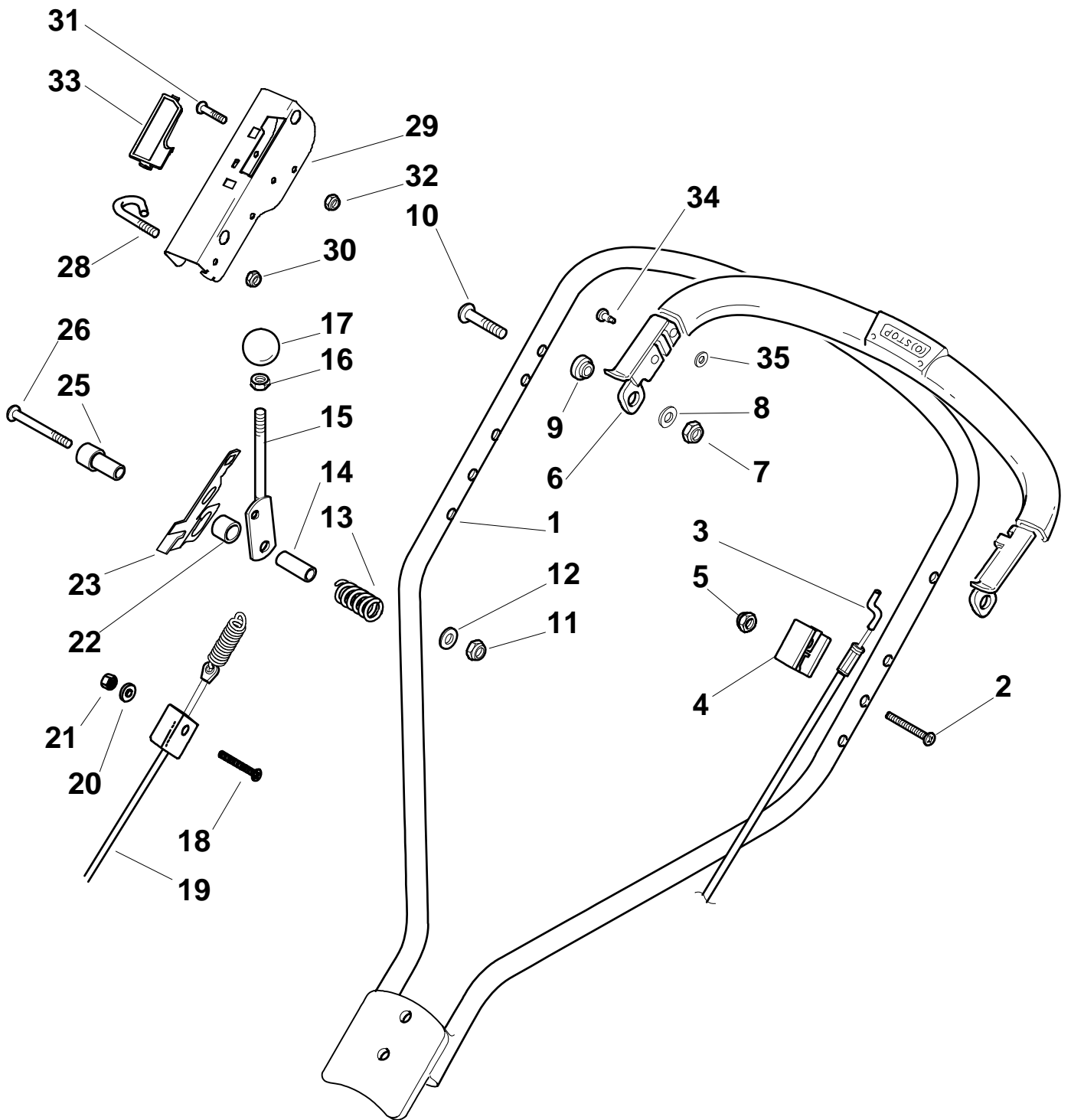
Pos.	Part no.	Q.ty	Description	Remarks
------	----------	------	-------------	---------

1	12792611/0	3	Screw	
2	12523060/0	6	Washer	
3	322207219/1	1	Flange	
4	12293201/0	3	Nut	
5	112735108/1	3	Screw	

Handle, Lower Part


Pos.	Part no.	Q.ty	Description	Remarks
1	81006377/0	1	Right Handle, Lower Part Black	
2	18566114/0	4	Cap	
3	12819100/0	6	Screw	
4	12155000/0	6	Nut	
5	18203854/0	6	Protection	
6	381006379/0	1	Left Handle, Lower Part Black	
7	12793102/0	4	Screw	
8	81006365/0	1	Handle, Lower Part Black	
9	12155000/0	4	Nut	
10	12523060/0	2	Washer	
11	12523080/0	1	Washer	
12	22399813/0	1	Knob	

Handle, Upper Part

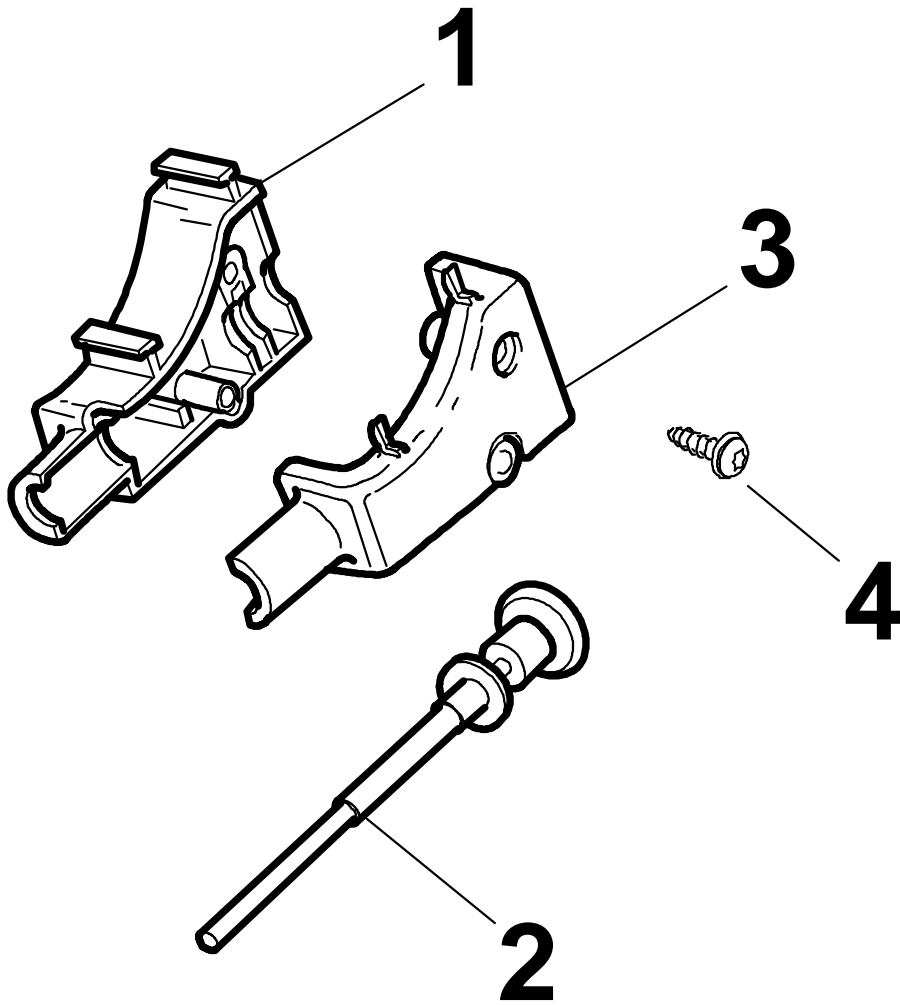




XSIM 52 HS 4 INOX - Model Year 2009

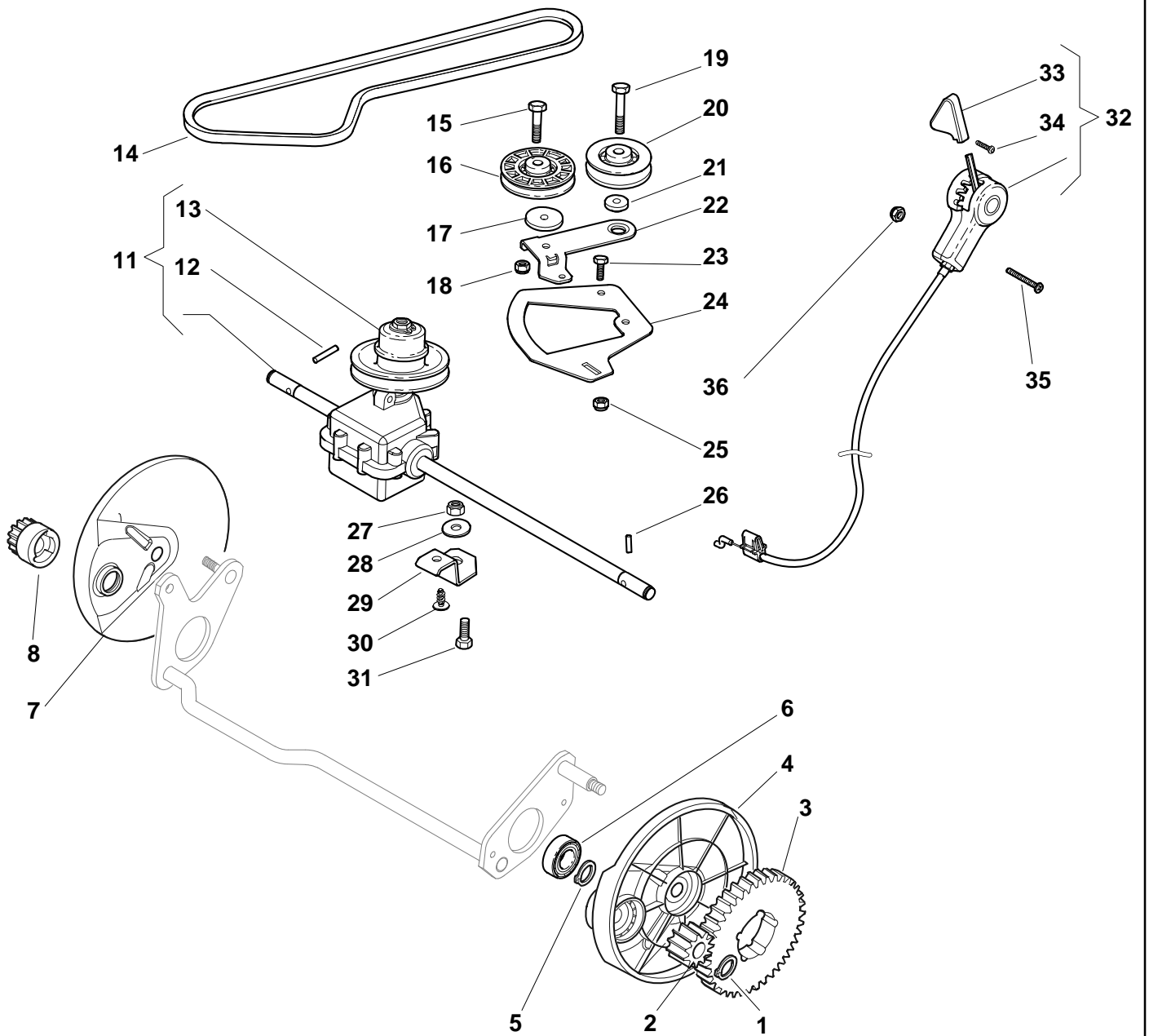
Handle, Upper Part

Pos.	Part no.	Q.ty	Description	Remarks
1	81006367/0	1	Handle, Upper Part, Black	
1	81006367/0	1	Handle, Upper Part, Black	
2	12727783/0	1	Screw	
3	181000618/0	1	Cable, Thread Engine Brake	(Ggp 160cc)
3	181000618/0	1	Cable, Thread Engine Brake	(Ggp 160cc)
3	181000618/0	1	Cable, Thread Engine Brake	(Ggp 160cc)
3	181000769/1	1	Cable, Thread Engine Brake	(B&S 450-500 Series)
3	181000769/1	1	Cable, Thread Engine Brake	(B&S 450-500 Series)
4	22551640/0	1	Plate	
5	12154510/0	1	Nut	
6	81003318/1	1	Lever, Engine Brake	
7	12154510/0	2	Nut	
8	12521330/0	2	Washer	
9	22671660/1	2	Washer	
10	12727784/0	2	Screw	
11	12292100/0	1	Nut	
12	12530060/0	1	Elastic Washer	
13	22450446/0	1	Spring	
14	22170840/0	1	Spacer	
15	81003313/0	1	Lever, Driving	
16	12293200/0	1	Nut	
17	22399812/0	1	Knob	
18	12727791/0	1	Screw	
19	381000745/1	1	Cable, Rear Drive	
20	12521330/0	1	Washer	
21	12154510/0	1	Nut	
22	22170843/0	1	Spacer	
23	22551653/0	1	Plate	
25	22170842/0	1	Spacer	
26	12727786/0	1	Screw	
28	22430314/0	1	Spring	
29	81004405/0	1	Dash Board	
30	12154510/0	1	Nut	
31	12727792/0	1	Screw	
32	12154510/0	1	Nut	
33	22500050/0	1	Shoe	
34	22524342/0	1	Pin	
35	12604897/0	1	Snap Ring	

Controls


Pos.	Part no.	Q.ty	Description	Remarks
1	22722804/1	1	R Protection	
2	381000742/1	1	Starter Drive	
2	381000742/1	1	Starter Drive	(GGP 200 cc)
2	381030022/0	1	Starter Drive	
2	381030022/0	1	Starter Drive	(GGP 160 cc)
2	381030024/0	1	Starter Drive	
2	381030024/0	1	Starter Drive	(Honda)
3	22722805/1	1	L Protection	
4	12728300/0	1	Screw	

Rear Drive

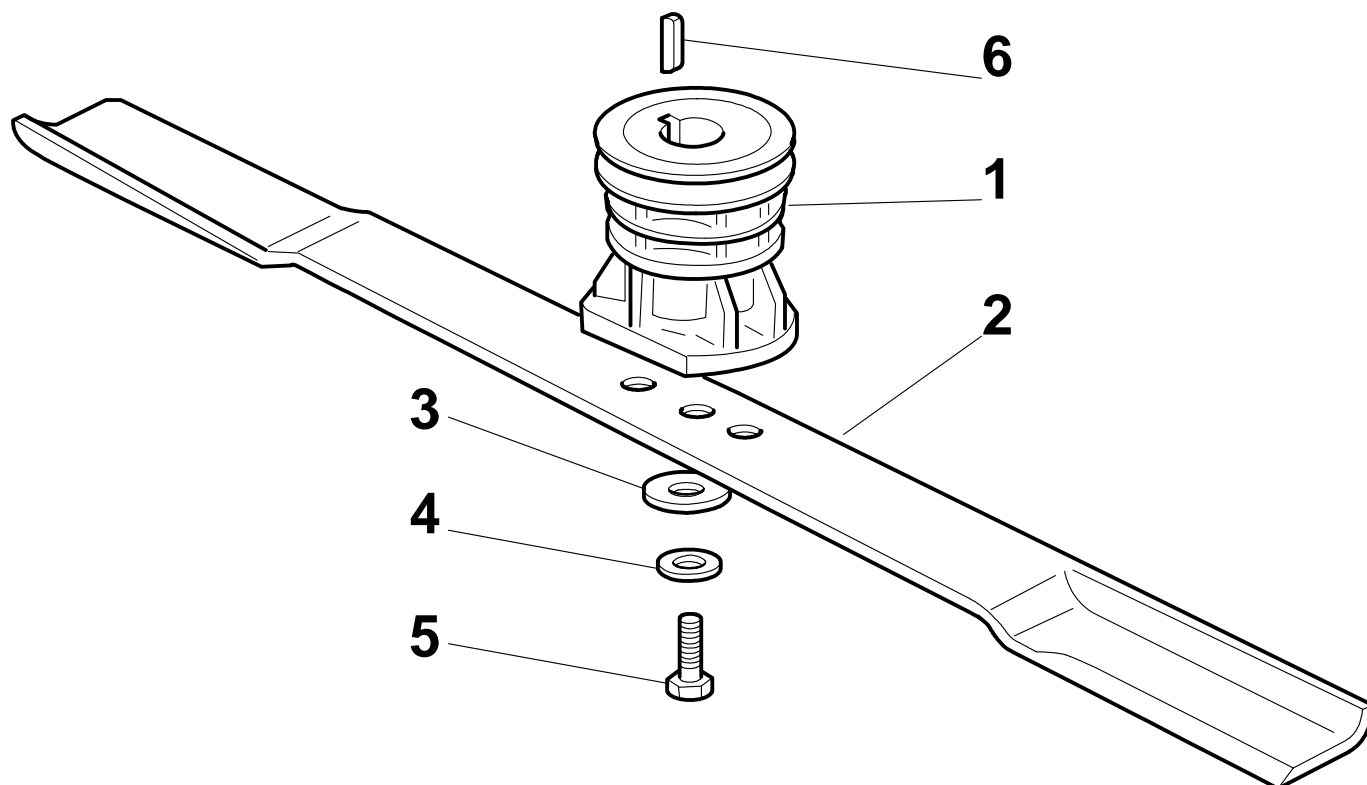




XSIM 52 HS 4 INOX - Model Year 2009

Rear Drive

Pos.	Part no.	Q.ty	Description	Remarks
1	12608600/0	2	Seeger	
2	22570120/1	1	Pinion L	
3	22120105/1	2	Ring Gear	
4	22600092/0	1	Protection, R Wheel	
5	12608600/0	2	Seeger	
6	19216035/0	2	Bearing	
7	22600093/0	1	Protection, L Wheel	
8	22570110/1	1	Pinion R	
11	181003098/1	1	Gear Box	
12	12645700/0	1	Pin	
13	122601925/0	1	Pulley	
14	35064010/0	1	Belt Spzx 812	534
15	12674701/0	1	Screw	
16	22601914/0	1	Pulley	
17	22680009/0	1	Washer	
18	12154510/0	1	Nut	
19	12689500/0	1	Screw	
20	22601915/0	1	Pulley	
21	22671656/0	1	Washer	
22	22320007/0	1	Lever	
23	12791011/0	1	Screw	
24	22806629/0	1	Support	
25	12154510/0	2	Nut	
26	22753000/0	2	Pin	
27	12155000/0	1	Nut	
28	12523060/0	1	Washer	
29	22551655/0	1	Support	
30	12728704/0	1	Screw	
31	12793102/0	1	Screw	
32	81007112/0	1	Cable, Speed Drive Control	
33	22399809/0	1	Knob	
34	12728300/0	1	Screw	
35	12727787/0	2	Screw	
36	12154510/0	2	Nut	

Blade


Pos.	Part no.	Q.ty	Description	Remarks
1	122465608/1	1	Hub With Pulley, Crankshaft Ř 25	
2	81004146/0	1	Blade Standard	
3	22160400/0	1	Elastic Washer	
4	12523080/0	1	Washer	
5	12735698/0	1	Screw	
6	12139150/0	1	Feather, Crankshaft Ř 25	