



*Green Passion*

# Illustrated Parts List

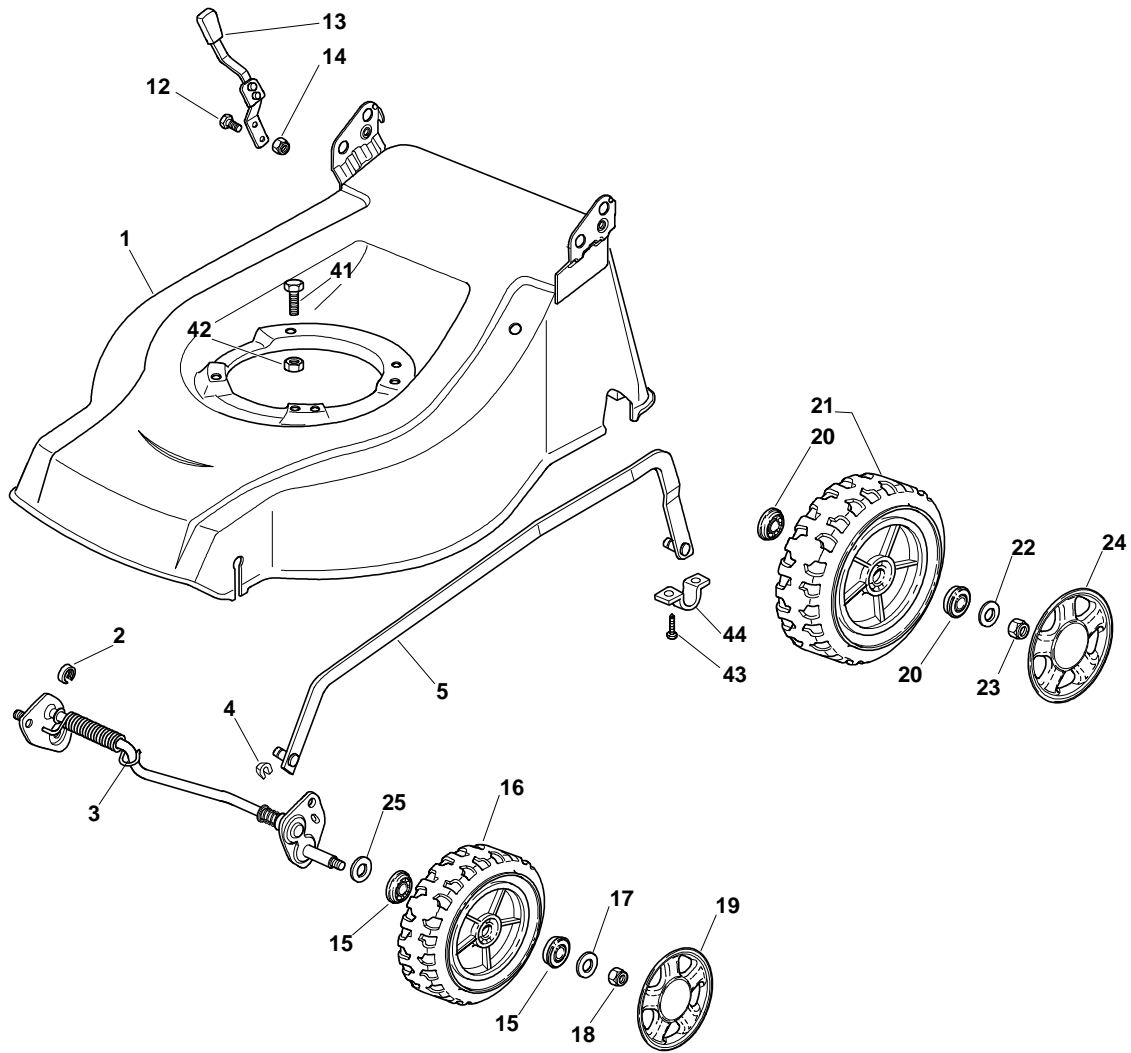
## XS 55 MHS 4 - Model Year 2010

- Use GLOBAL GARDEN PRODUCT Genuine Spare Parts specified in the parts list for repair and/or replacement.
- The contents described in the parts list may change due to improvement.
- The drawings of the spare parts are only indicative and might not represent the part in question exactly.
- The indications "right" - "left" - "front" - "rear" refer to the position of the operator when using the machine.
- When placing orders of parts for repair and/or replacement, make sure that the illustrated parts list is the one applying to the machine's year of manufacture, as shown on the identification plate attached to the machine.

COPYRIGHT by GLOBAL GARDEN PRODUCTS

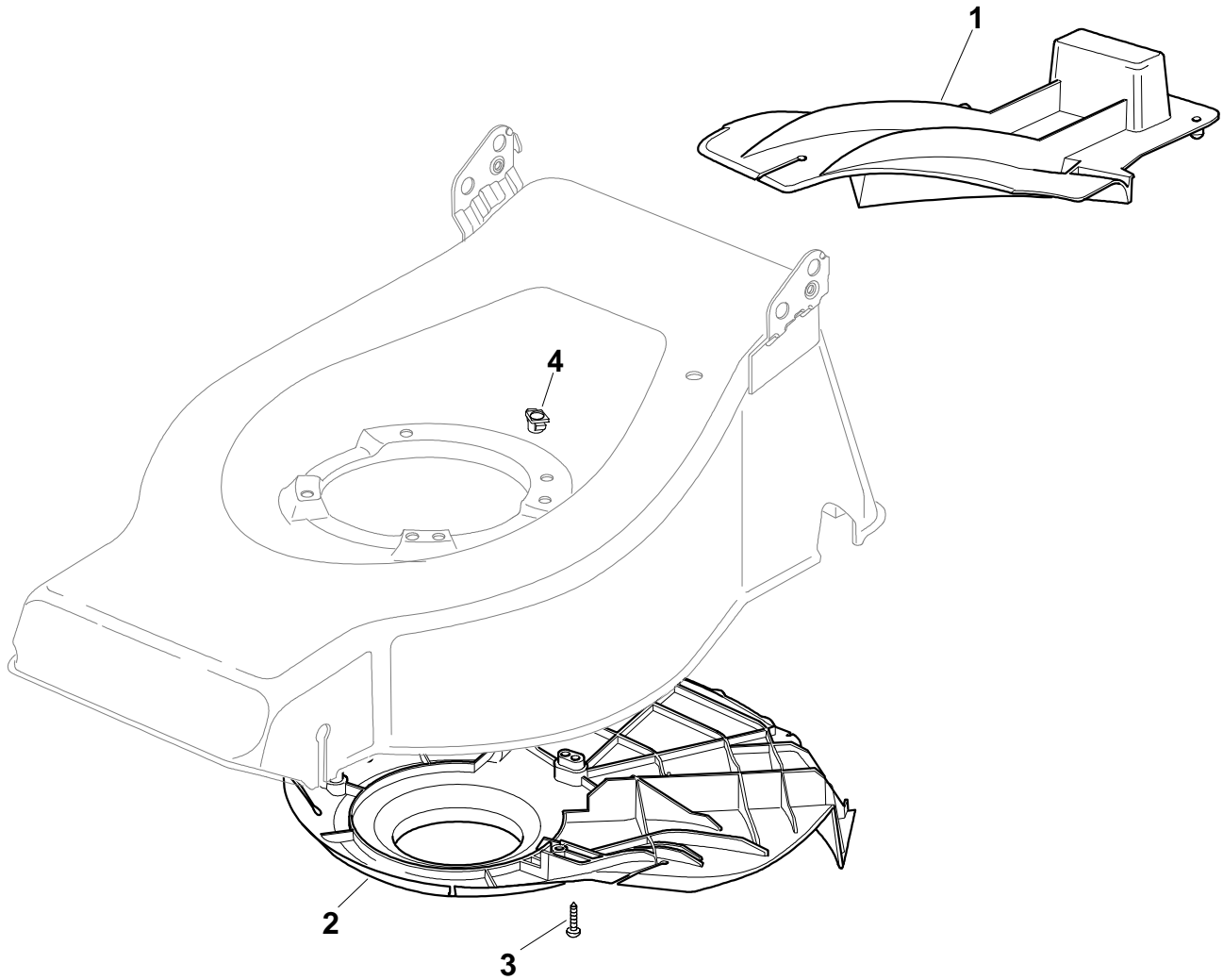
All rights reserved. No part of this material may be reproduced or transmitted, in any form or by any means, electronic or mechanical, including photocopying, recording or by any information storage and retrieval system, without permission in writing from GLOBAL GARDEN PRODUCTS.

### Chassis/Wheels And Height Adjusting



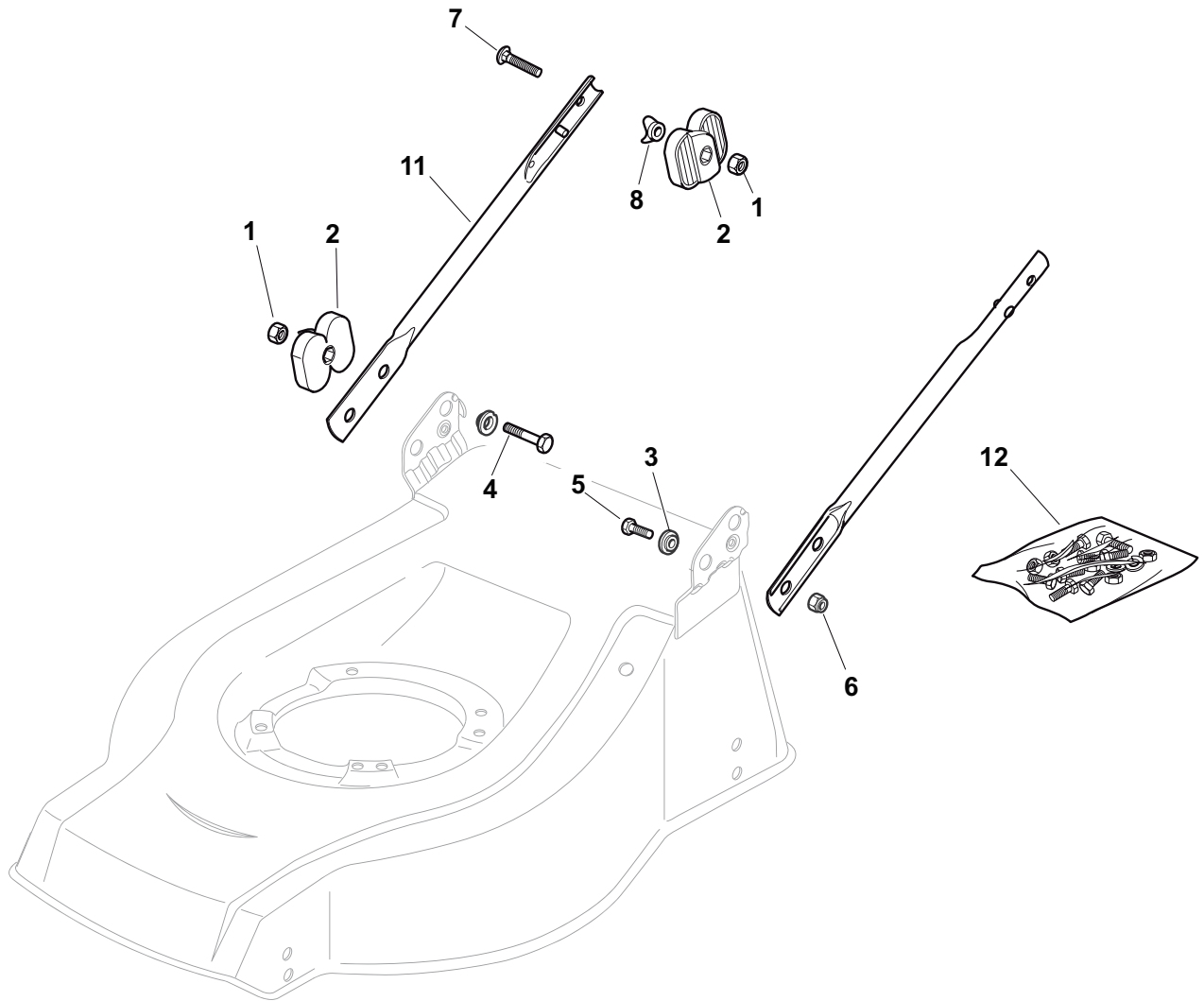
Pos.	Part no.	Q.ty	Description	Remarks
1	81002356/1	1	Deck Red	
2	22171002/0	1	Spacer	
3	81000143/1	1	Axle, Front Wheels	
4	112436051/0	2	Plate	
5	381002021/0	1	Rod, Height Adjustment	
12	12789000/0	2	Screw	
13	81003283/1	1	Lever, Height Adjustment	
14	12154320/0	2	Nut	
15	22122200/0	4	Bearing	
16	81007336/0	2	Wheel	
17	12521350/0	2	Washer	
18	12155000/0	2	Nut	
19	22110381/0	2	Hub Cap	
20	22122200/0	4	Bearing	
21	81007337/0	2	Wheel	
22	12521350/0	2	Washer	
23	12155000/0	2	Nut	
24	22110382/0	2	Hub Cap	
25	12530150/0	2	Washer	
41	12691800/0	1	Screw	
41	12793701/0	3	Screw	
42	12155000/0	1	Nut	
42	12293201/0	3	Nut	
43	12731350/0	4	Screw	
44	22545152/0	2	Plate	

**Protection, Belt**

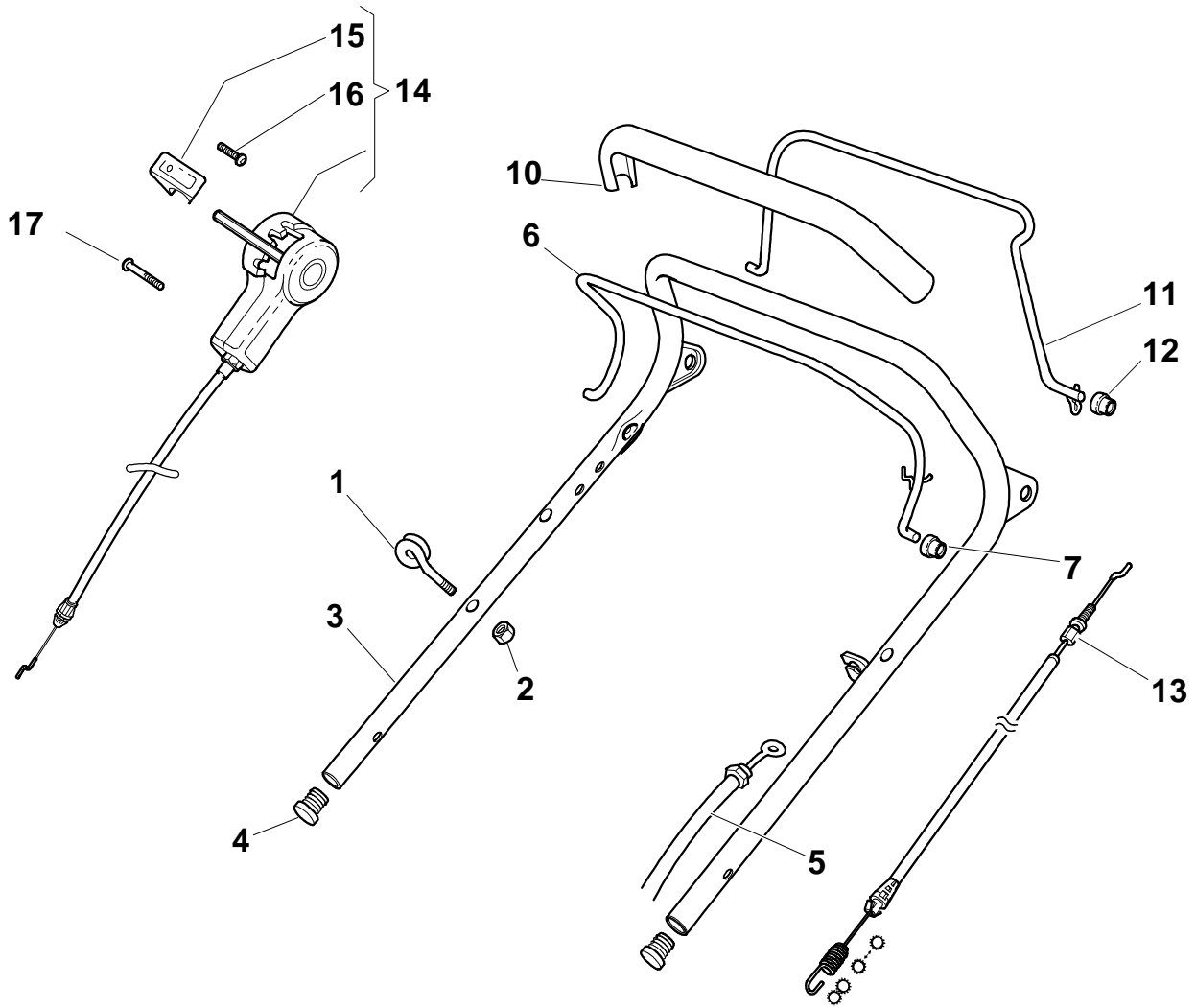


Pos.	Part no.	Q.ty	Description	Remarks
------	----------	------	-------------	---------

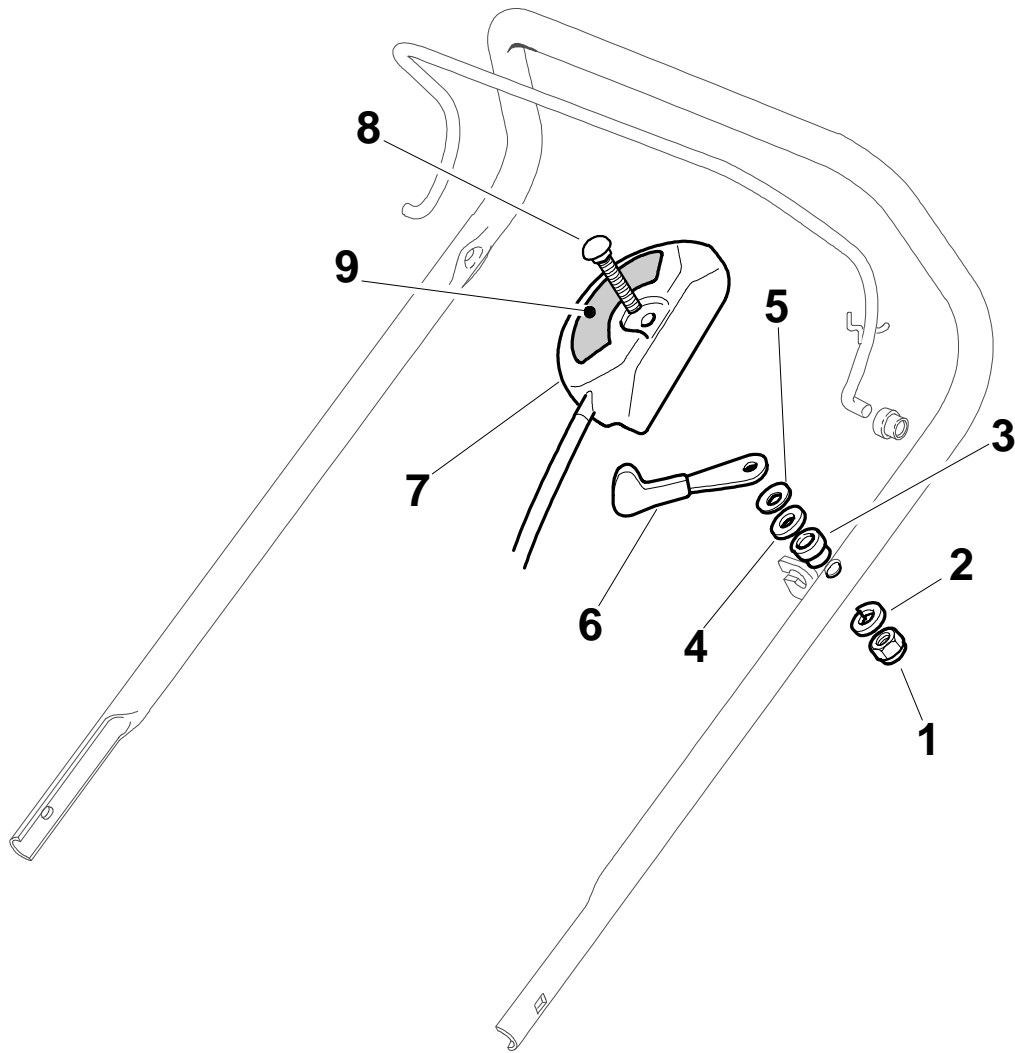
1	22140222/0	1	Deflector	
2	322060197/2	1	Protection	
3	12728530/0	3	Screw	
4	22291150/0	1	Rubber Insert	

**Handle, Lower Part**


Pos.	Part no.	Q.ty	Description	Remarks
1	12293202/0	4	Nut	
2	22399803/0	4	Knob	
3	22041955/0	4	Bush	
4	12793700/0	2	Screw	
5	12792610/0	2	Screw	
6	12155000/0	2	Nut	
7	12819125/0	2	Screw	
8	22680006/1	2	Washer	
11	81006973/0	2	Handle, Lower Part	
12	81008633/0	1	Outfit, Screws	

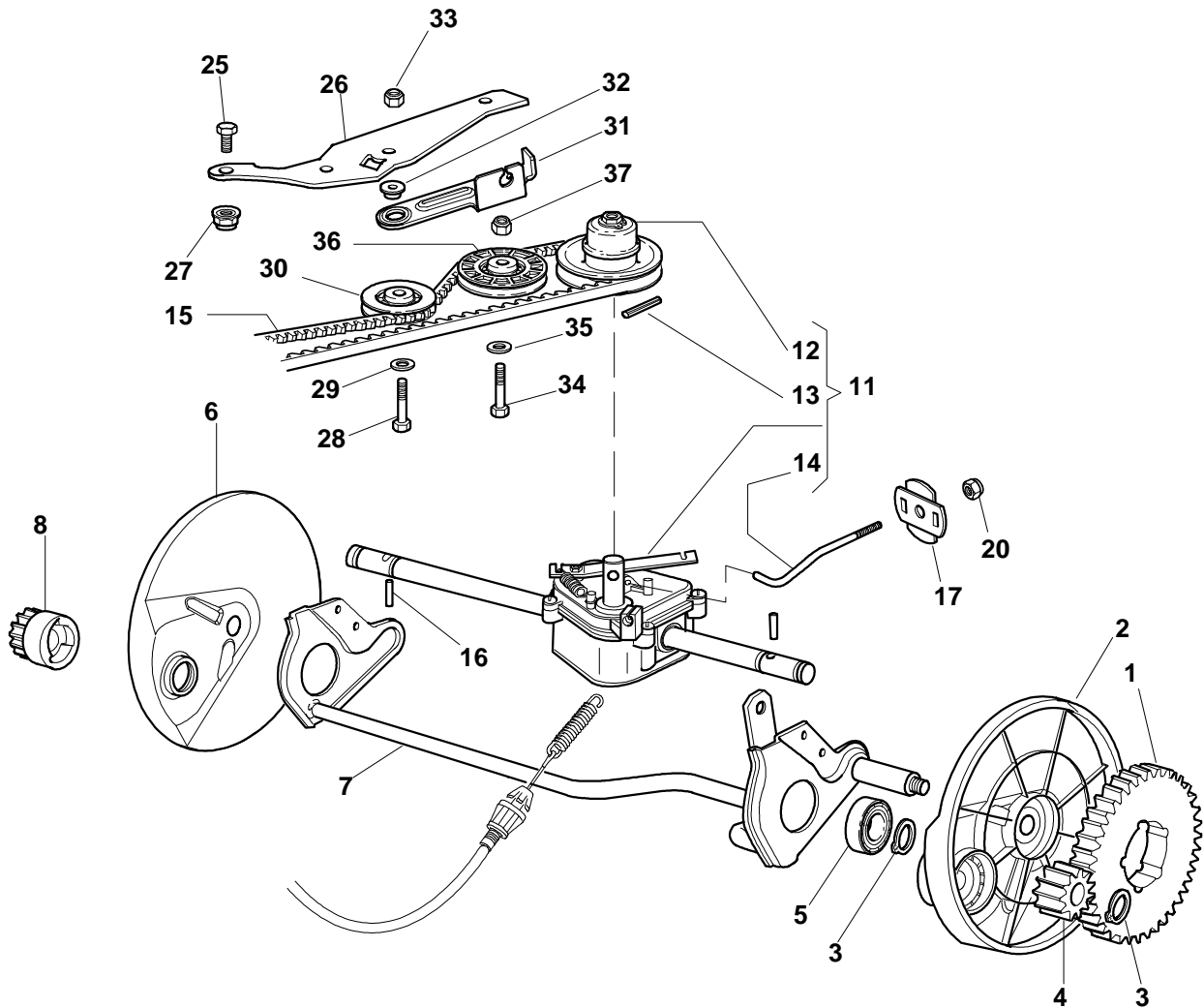
**Handle, Upper Part**


Pos.	Part no.	Q.ty	Description	Remarks
1	22430309/0	1	Guide Spring	
2	12154330/0	1	Nut	
3	81006989/0	1	Handle, Upper Part	
4	18566112/0	2	Cap	
5	181030009/0	1	Cable, Thread Engine Brake	534 (B&S 700 Series)
5	81000640/0	1	Cable, Thread Engine Brake	534 (Honda Gcv 135-160-190)
5	81000643/0	1	Cable, Thread Motor Brake	534 (B&S 500 Series)
5	81000756/0	1	Cable, Thread Engine Brake	534 (Ggp 196cc)
5	81000756/0	1	Cable, Thread Engine Brake	534 (B&S 625-675 Series)
5	81000756/0	1	Cable, Thread Engine Brake	534 (Ggp 140cc)
5	81000756/0	1	Cable, Thread Engine Brake	534 (Ggp 160cc)
5	81000756/0	1	Cable, Thread Engine Brake	534 (B&S 675 Series Es)
6	81003291/3	1	Lever, Engine Brake	
7	22041966/0	2	Bush	
10	22291050/0	1	Handgrip Black	
11	22041965/1	2	Bush	
12	81003288/1	1	Lever, Driving	
13	81000668/1	1	Cable, Rear Drive	(General Transmission)
13	81000672/0	1	Cable, Rear Drive	(Bi Ci Di)
14	81007109/0	1	Cable, Speed Drive Control	484 4S
14	81007110/0	1	Cable, Speed Drive Control	534 4S
15	22399809/0	1	Knob	
16	12728300/0	1	Screw	
17	12728702/0	2	Screw	

**Controls**


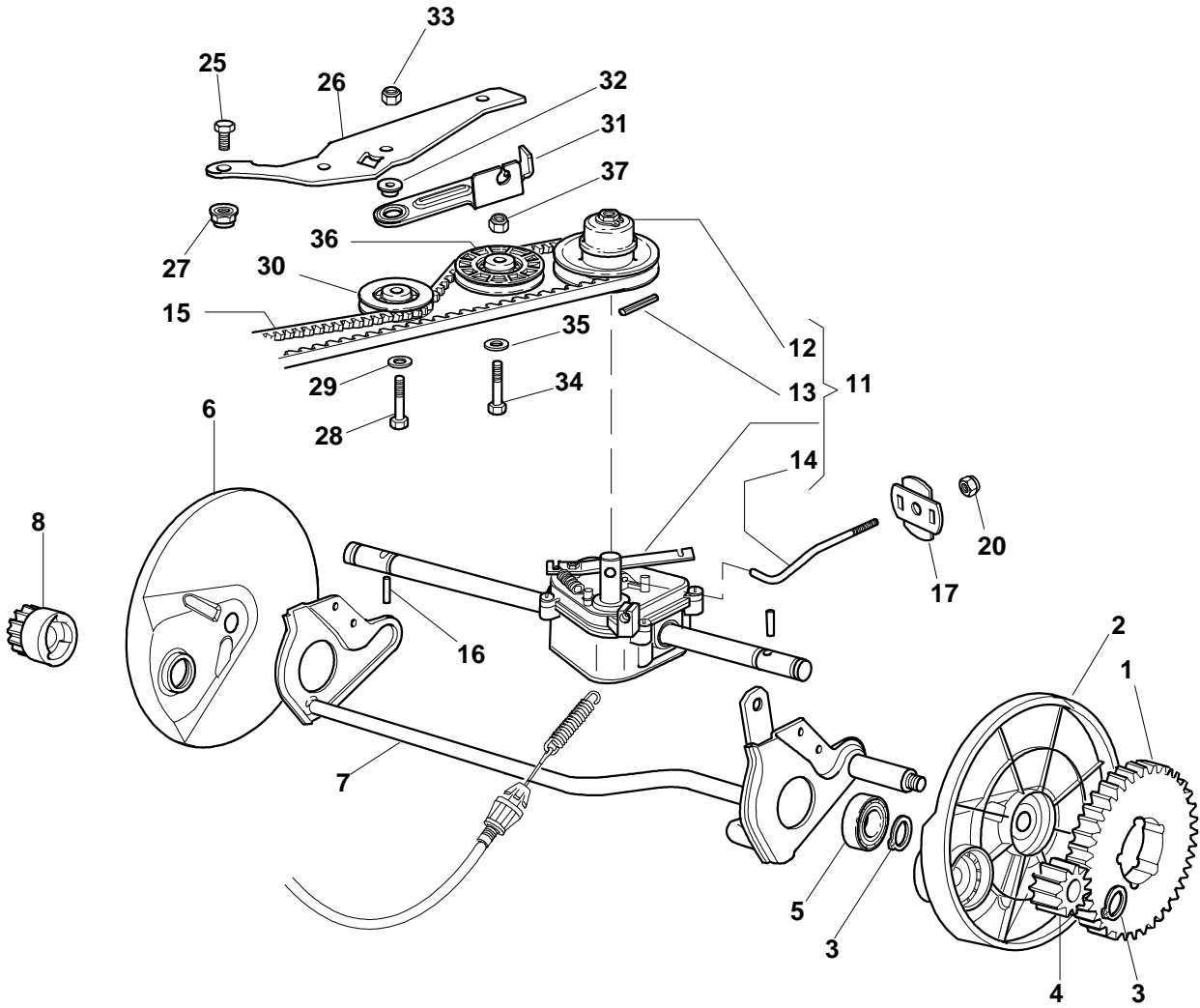
Pos.	Part no.	Q.ty	Description	Remarks
1	12291000/0	1	Nut	
2	12581500/0	1	Grower	
3	22171005/0	1	Spacer	
4	12521360/0	1	Washer	
5	12508100/0	1	Washer	
6	81007220/0	1	Lever, Throttle	(B&S 450-500 Series - Ggp 150 cc)
6	81007279/1	1	Lever, Throttle	(B&S 625-675-700 Series - Honda - Ggp 140-160-196 cc)
7	81007080/0	1	Cable, Trottle	
8	12815000/0	1	Screw	
9	114356905/0	1	Label	(B&S 700 series DOV)
9	114356905/0	1	Label	(Honda GCV 160-190 Autochoke)
9	114364264/0	1	Label	AVS (GGP 160-196)
9	14356702/0	1	Label	(Honda)
9	14356702/0	1	Label	(GGP)
9	14356703/0	1	Label	(B&S)

### Rear Drive



Pos.	Part no.	Q.ty	Description	Remarks
1	22120105/1	2	Ring Gear	
2	22600093/0	1	Protection, L Wheel	
3	12608600/0	4	Snap Ring	
4	22570120/1	1	Pinion L	
5	19216035/0	2	Bearing	
6	22600092/0	1	Protection, R Wheel	
7	81000147/0	1	Axle, Rear Wheels	
8	22570110/1	1	Pinion R	
11	181003096/2	1	Gear Box	
12	122601925/0	1	Pulley	
13	12645700/0	1	Pin	
14	22033285/0	1	Adjustment Rod	
15	35064010/0	1	Belt	
16	22753000/0	2	Pin	
17	22675113/0	2	Washer	
20	12154510/0	1	Nut	
25	12791011/0	1	Screw	
26	22806625/0	1	Support	
27	12292102/0	1	Nut	
28	12689500/0	1	Screw	
29	12523050/0	1	Washer	
30	22601915/0	1	Pulley	
31	22806623/0	1	Support	
32	22671656/0	1	Washer	
33	12154510/0	1	Nut	

Rear Drive

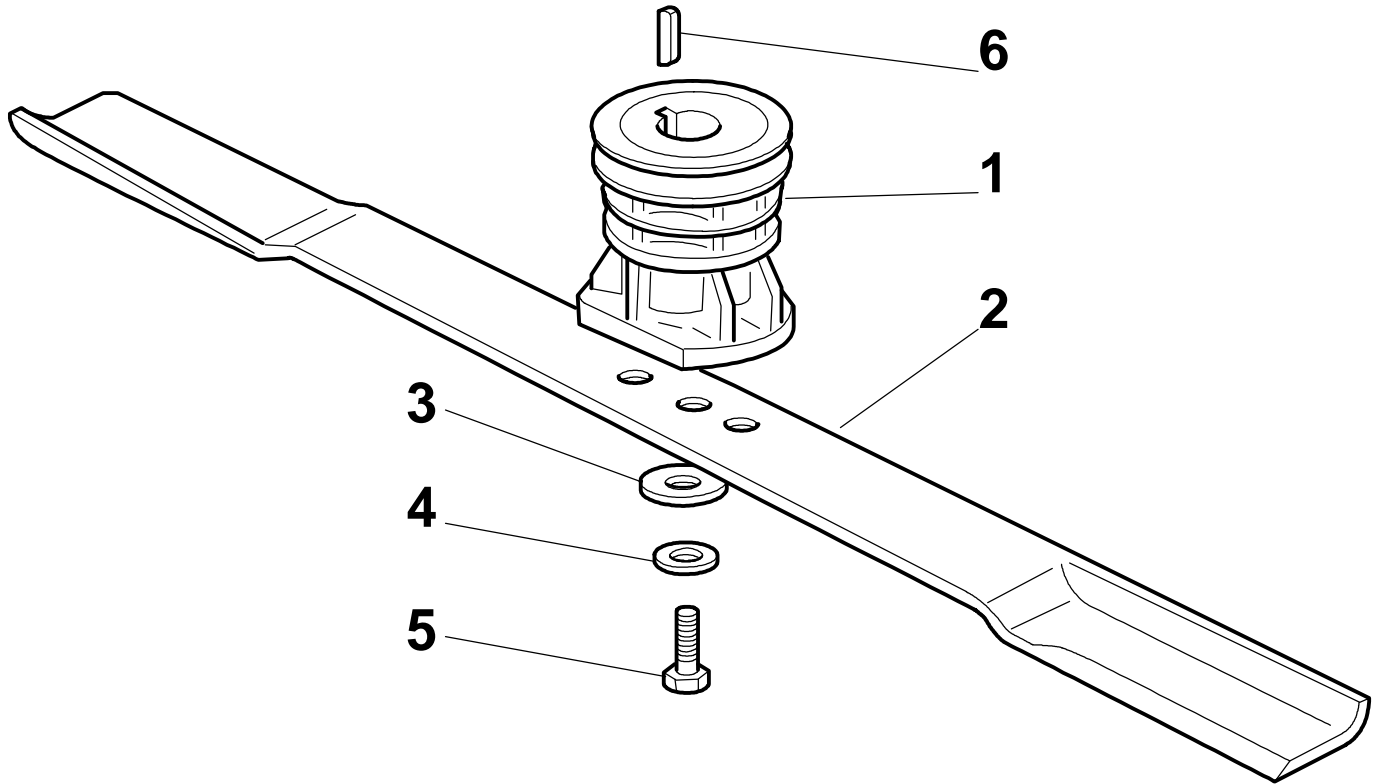


Pos.	Part no.	Q.ty	Description	Remarks
------	----------	------	-------------	---------

34	12674700/0	1	Screw	
35	12523050/0	1	Washer	
36	22601914/0	1	Pulley	
37	12154510/0	1	Nut	

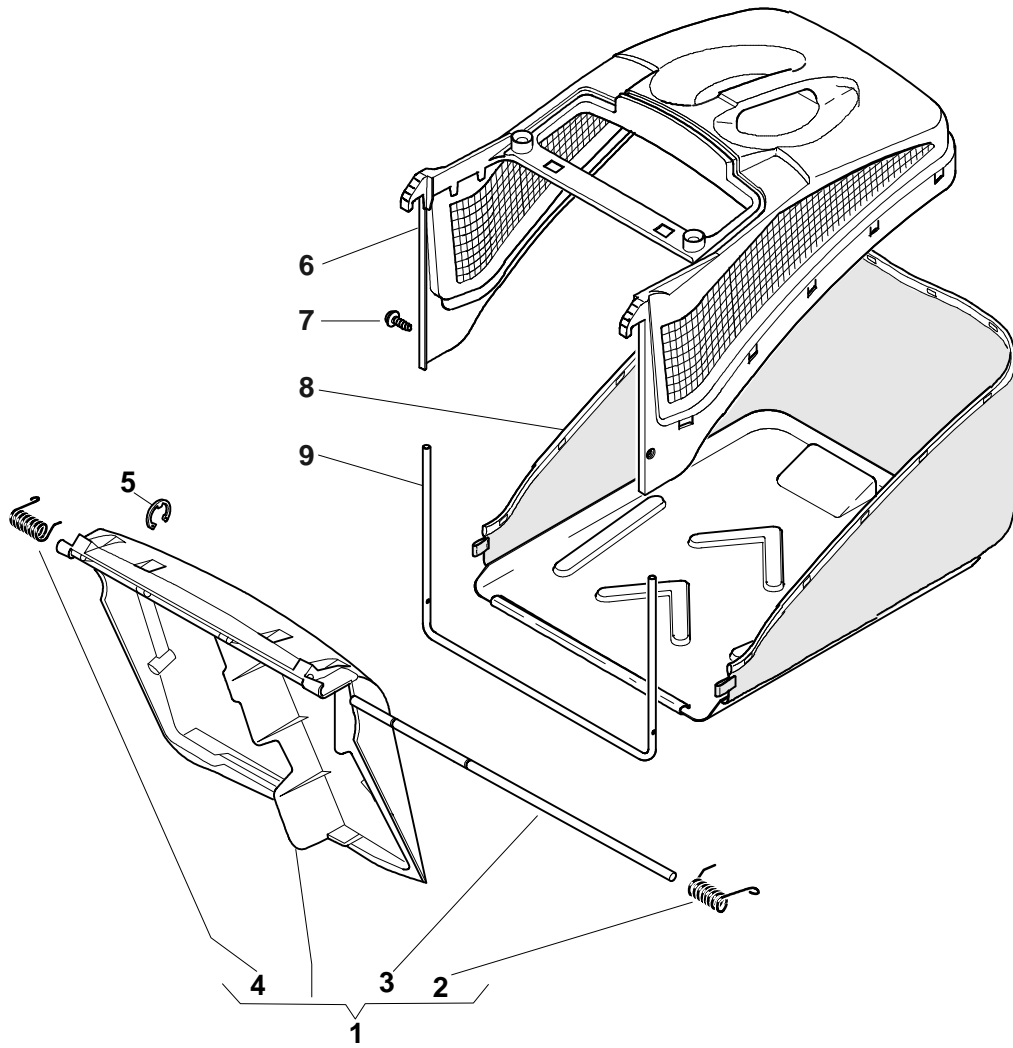


**Blade**



Pos.	Part no.	Q.ty	Description	Remarks
1	122465608/2	1	Hub With Pulley, Crankshaft Ø 25	
2	81004381/1	1	Blade Standard	
2	81004398/0	1	Blade Standard	
3	22160400/0	1	Elastic Washer	
4	12523080/0	1	Washer	
5	12735698/0	1	Screw	
6	12139150/0	1	Feather	

### Grass-Catcher



Pos.	Part no.	Q.ty	Description	Remarks
1	381008021/2	1	Stone-Guard Black	
2	22450410/1	1	R Spring	
3	22517906/1	1	Pin	
4	22450420/1	1	L Spring	
5	12000930/0	1	Snap Ring	
6	22486093/0	1	Grass-Box, Upper	
7	12728445/0	2	Screw	
8	81002195/0	1	Box, Fabric	
9	22608523/0	1	Stiffening Lower	