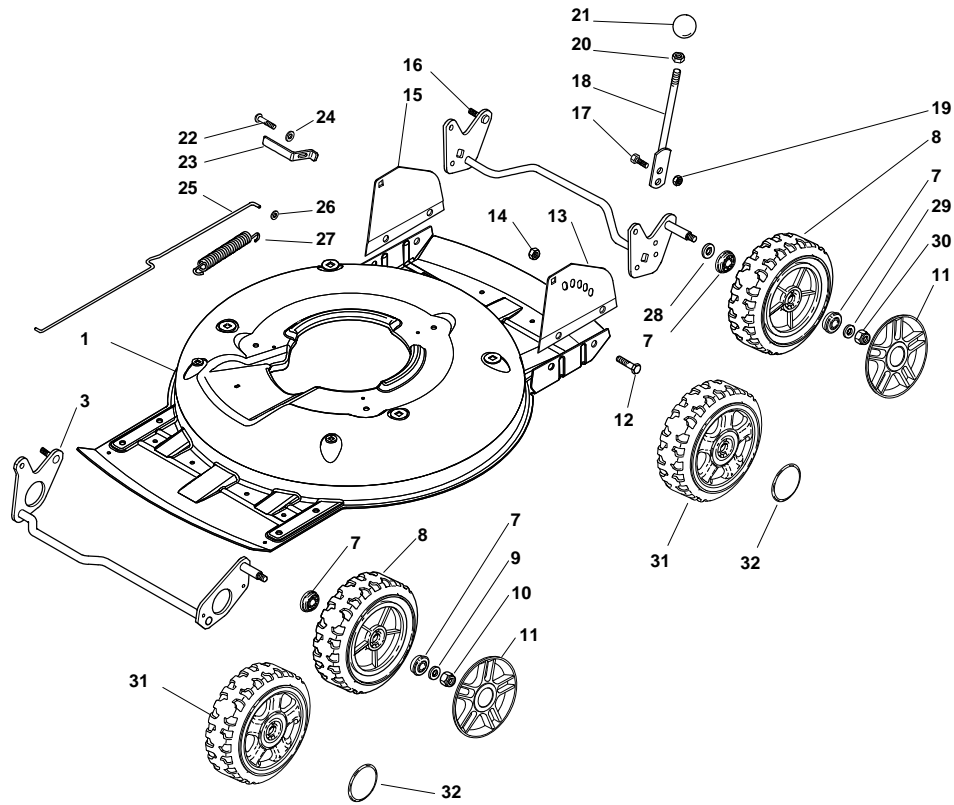


# **Genuine Spare Parts**

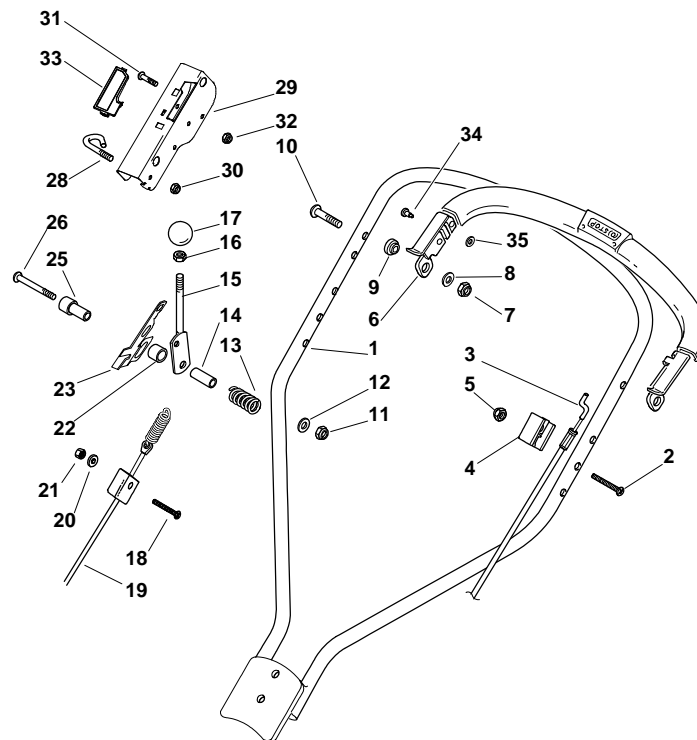
---

**MULTICLIP 50 4S  
SILENT RENTAL**

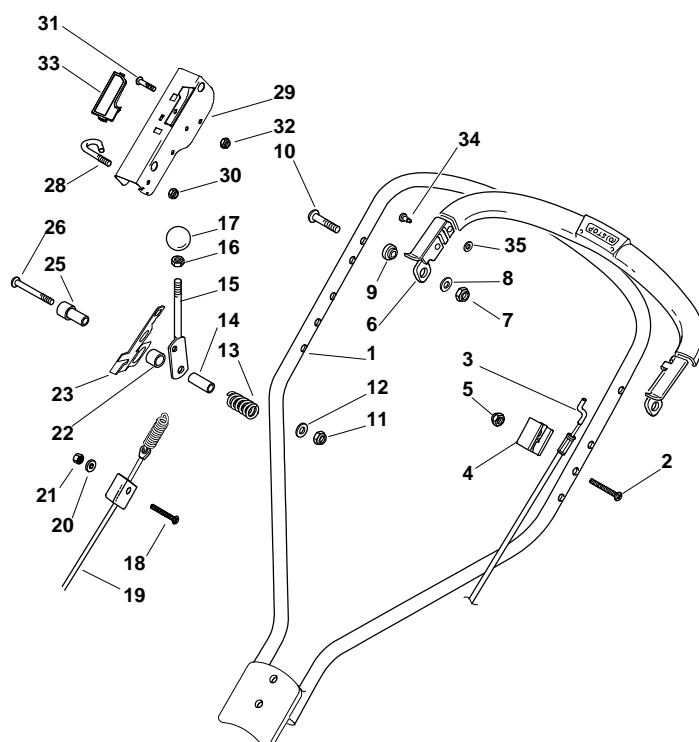


**MULTICLIP 50 4S SILENT RENTAL - Model Year 2009**


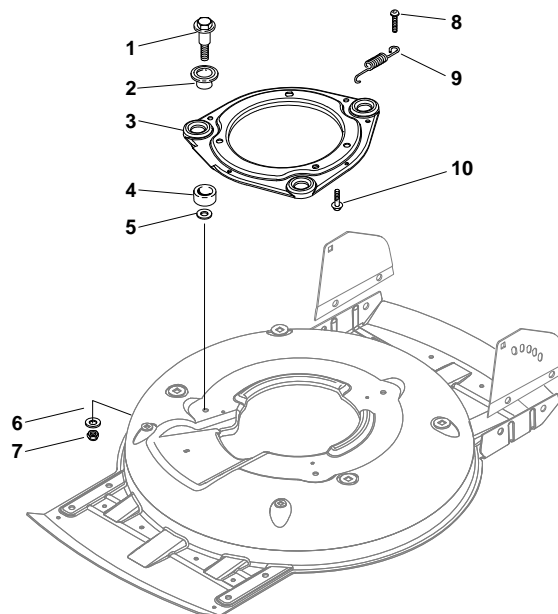
| Pos. Fig. | Antal Quantity | Art No Part No | Benämning          | Description                    | Anmärkning Notes |
|-----------|----------------|----------------|--------------------|--------------------------------|------------------|
| 1         | 1              | 81002909/1     | Chassi             | Deck Grey                      |                  |
| 3         | 1              | 81002849/0     | Hjulaxel           | Axle, Front Wheels             |                  |
| 7         | 8              | 22122200/0     | Kullager           | Bearing                        |                  |
| 8         | 4              | 81007343/0     | Hjul               | Wheel                          |                  |
| 9         | 2              | 12369500/0     | Bricka             | Washer                         |                  |
| 10        | 2              | 12155000/0     | Mutter             | Nut                            |                  |
| 11        | 4              | 22110492/0     | Navkapsel          | Hub Cap Grey                   |                  |
| 12        | 4              | 12791011/0     | Skruv              | Screw                          |                  |
| 13        | 1              | 81545105/0     | Platta-vä          | Left Plate                     |                  |
| 14        | 4              | 12154510/0     | Mutter             | Nut                            |                  |
| 15        | 1              | 81545104/0     | Platta-hö          | Right Plate                    |                  |
| 16        | 1              | 81002851/0     | Hjulaxel           | Axle, Rear Wheels              |                  |
| 17        | 2              | 12789000/0     | Skruv              | Screw                          |                  |
| 18        | 1              | 81003323/0     | Höjdinställn.spak  | Lever, Height Adjustment       |                  |
| 19        | 2              | 12154330/0     | Mutter             | Nut                            |                  |
| 20        | 1              | 12293200/0     | Mutter             | Nut                            |                  |
| 21        | 1              | 22399812/0     | Knopp              | Knob                           |                  |
| 22        | 2              | 12735661/0     | Skruv              | Screw                          |                  |
| 23        | 2              | 22551529/0     | Hjulrensare        | Plate                          |                  |
| 24        | 2              | 12521330/0     | Bricka             | Washer                         |                  |
| 25        | 1              | 22033329/0     | Höjdinställn.stång | Rod, Height Adjustment Control |                  |
| 26        | 2              | 12604899/0     | Låsbricka          | Crown Fastener                 |                  |
| 27        | 1              | 22446184/0     | Fjäder             | Spring                         |                  |
| 28        | 2              | 12530150/0     | Bricka             | Washer                         |                  |
| 29        | 2              | 12521350/0     | Bricka             | Washer                         |                  |
| 30        | 2              | 12155000/0     | Mutter             | Nut                            |                  |
| 31        | 4              | 81007382/0     | Hjul               | Wheel                          |                  |
| 32        | 4              | 22110419/0     | Navkapsel-svart    | Hub Cap                        |                  |



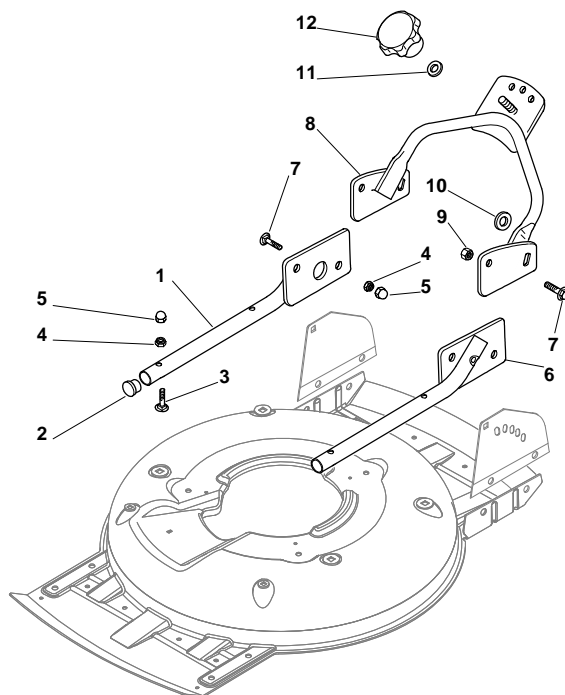
| Pos. Fig. | Antal Quantity | Art No Part No | Benämning      | Description                | Anmärkning Notes              |
|-----------|----------------|----------------|----------------|----------------------------|-------------------------------|
| 1         | 1              | 81006363/1     | Styre-överdel  | Handle, Upper Part Yellow  | Yellow                        |
| 1         | 1              | 81006363/1     | Styre-överdel  | Handle, Upper Part Yellow  |                               |
| 2         | 1              | 12727783/0     | Skruv          | Screw                      |                               |
| 3         | 1              | 181000618/0    | Motorbromswire | Cable, Thread Engine Brake | (Ggp 160cc)                   |
| 3         | 1              | 181000618/0    | Motorbromswire | Cable, Thread Engine Brake |                               |
| 3         | 1              | 181000618/0    | Motorbromswire | Cable, Thread Engine Brake | (B&S 625-675 Series)          |
| 3         | 1              | 181000618/0    | Motorbromswire | Cable, Thread Engine Brake | (Ggp 140cc)                   |
| 3         | 1              | 181000769/1    | Motorbromswire | Cable, Thread Engine Brake | (B&S 450-500 Series)          |
| 3         | 1              | 181000769/1    | Motorbromswire | Cable, Thread Engine Brake | TR 4S (Honda Gcv 135-160-190) |
| 3         | 1              | 181000769/1    | Motorbromswire | Cable, Thread Engine Brake |                               |
| 3         | 1              | 81000733/0     | Motorbromswire | Cable, Thread Motor Brake  | (Honda Gcv 135-160-190)       |
| 3         | 1              | 81000733/0     | Motorbromswire | Cable, Thread Motor Brake  |                               |
| 4         | 1              | 22551640/0     | Wirefäste      | Plate                      |                               |
| 5         | 1              | 12154510/0     | Mutter         | Nut                        |                               |
| 6         | 1              | 81003318/1     | Reglagebygel   | Lever, Engine Brake        |                               |
| 7         | 2              | 12154510/0     | Mutter         | Nut                        |                               |
| 8         | 2              | 12521330/0     | Bricka         | Washer                     |                               |
| 9         | 2              | 22671660/1     | Bricka         | Washer                     |                               |
| 10        | 2              | 12727784/0     | Skruv          | Screw                      |                               |
| 11        | 1              | 12292100/0     | Mutter         | Nut                        |                               |
| 12        | 1              | 12530060/0     | Bricka         | Elastic Washer             |                               |
| 13        | 1              | 22450446/0     | Fjäder         | Spring                     |                               |
| 14        | 1              | 22170840/0     | Distans        | Spacer                     |                               |
| 15        | 1              | 81003313/0     | Spak           | Lever, Driving             |                               |
| 16        | 1              | 12293200/0     | Mutter         | Nut                        |                               |
| 17        | 1              | 22399812/0     | Knopp          | Knob                       |                               |
| 18        | 1              | 12727791/0     | Skruv          | Screw                      |                               |
| 19        | 1              | 381000745/1    | Kopplingswire  | Cable, Rear Drive          |                               |
| 20        | 1              | 12521330/0     | Bricka         | Washer                     |                               |
| 21        | 1              | 12154510/0     | Mutter         | Nut                        |                               |
| 22        | 1              | 22170843/0     | Distans        | Spacer                     |                               |

**MULTICLIP 50 4S SILENT RENTAL - Model Year 2009**


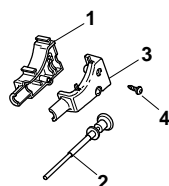
| Pos. Fig. | Antal Quantity | Art No Part No | Benämning | Description | Anmärkning Notes |
|-----------|----------------|----------------|-----------|-------------|------------------|
| 23        | 1              | 22551653/0     | Platta    | Plate       |                  |
| 25        | 1              | 22170842/0     | Distans   | Spacer      |                  |
| 26        | 1              | 12727786/0     | Skruv     | Screw       |                  |
| 28        | 1              | 22430314/0     | Öglebult  | Spring      |                  |
| 29        | 1              | 81004405/0     | Panel     | Dash Board  |                  |
| 30        | 1              | 12154510/0     | Mutter    | Nut         |                  |
| 31        | 1              | 12727792/0     | Skruv     | Screw       |                  |
| 32        | 1              | 12154510/0     | Mutter    | Nut         |                  |
| 33        | 1              | 22500050/0     | Glidblock | Shoe        |                  |
| 34        | 1              | 22524342/0     | Sprint    | Pin         |                  |
| 35        | 1              | 12604897/0     | Låsring   | Washer      |                  |



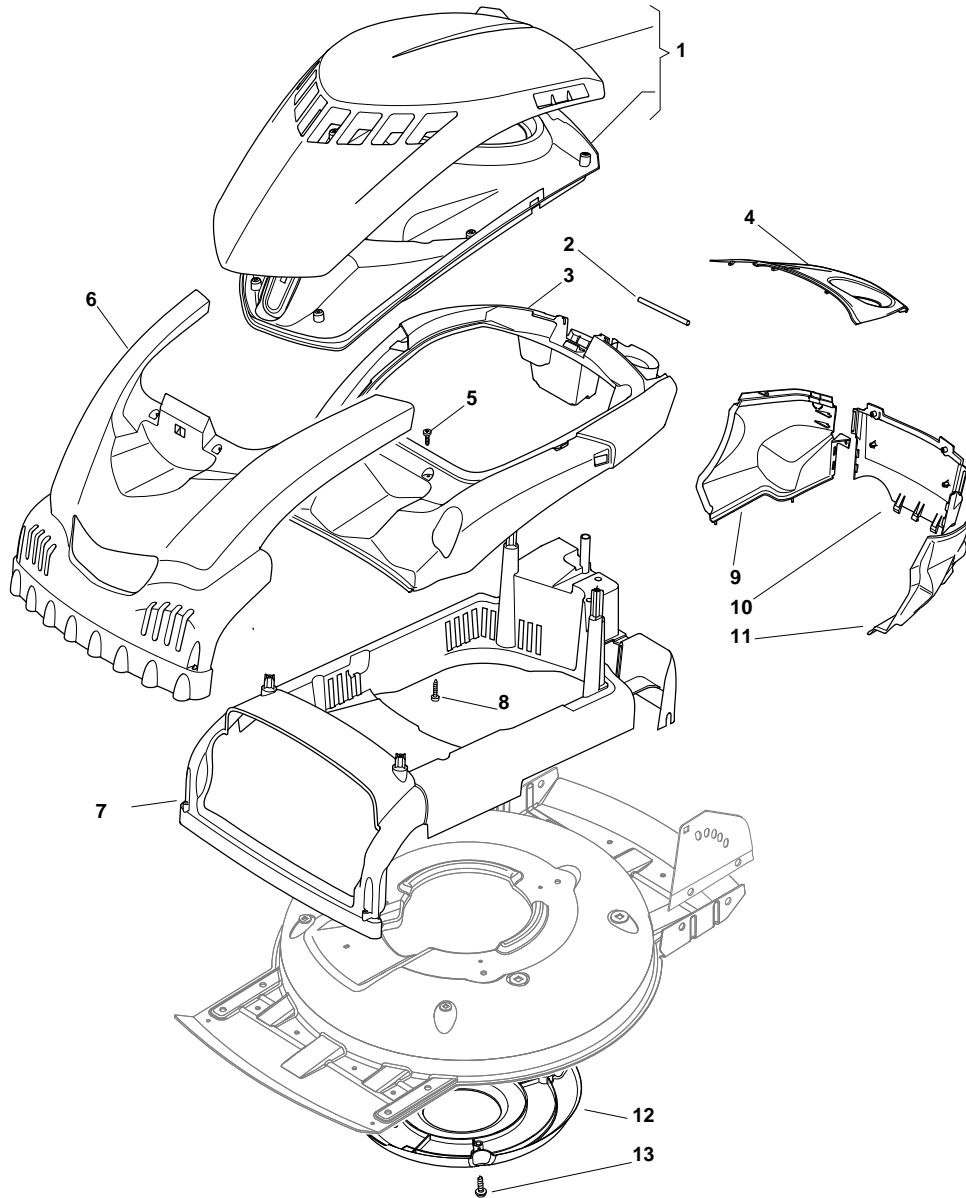
| Pos. Fig. | Antal Quantity | Art No Part No | Benämning   | Description   | Anmärkning Notes |
|-----------|----------------|----------------|-------------|---------------|------------------|
| 1         | 3              | 22524329/0     | Bult        | Pin           |                  |
| 2         | 3              | 22672201/0     | Bricka      | Washer        |                  |
| 3         | 1              | 322207221/1    | Fläns-svart | Flange, Black |                  |
| 3         | 1              | 81207221/1     | Fläns-gul   | Flange        |                  |
| 3         | 1              | 81207222/1     | Fläns-svart | Flange, Black |                  |
| 4         | 3              | 22250012/0     | Dämpelement | Grommet       |                  |
| 5         | 3              | 22672201/0     | Bricka      | Washer        |                  |
| 6         | 3              | 22671651/0     | Bricka      | Washer        |                  |
| 7         | 3              | 12155000/0     | Mutter      | Nut           |                  |
| 8         | 1              | 12791400/0     | Skruv       | Screw         |                  |
| 9         | 1              | 22450444/0     | Fjäder      | Spring        |                  |
| 10        | 3              | 112735108/1    | Skruv       | Screw         |                  |



| Pos. Fig. | Antal Quantity | Art No Part No | Benämning          | Description               | Anmärkning Notes |
|-----------|----------------|----------------|--------------------|---------------------------|------------------|
| 1         | 1              | 381006381/0    | Styre-underdel, hö | Right Handle, Lower Part  | Yellow           |
| 1         | 1              | 381006381/0    | Styre-underdel, hö | Right Handle, Lower Part  |                  |
| 2         | 4              | 18566114/0     | Plugg              | Cap                       |                  |
| 3         | 6              | 12819100/0     | Skruv              | Screw                     |                  |
| 4         | 6              | 12155000/0     | Mutter             | Nut                       |                  |
| 5         | 6              | 18203854/0     | Tätningshylsa      | Protection                |                  |
| 6         | 1              | 81006375/0     | Styre-underdel, vä | Left Handle, Lower Part   |                  |
| 6         | 1              | 81006375/0     | Styre-underdel, vä | Left Handle, Lower Part   | Yellow           |
| 7         | 4              | 12793102/0     | Skruv              | Screw                     |                  |
| 8         | 1              | 81006361/0     | Styre-underdel     | Handle, Lower Part Yellow |                  |
| 8         | 1              | 81006361/0     | Styre-underdel     | Handle, Lower Part Yellow | Yellow           |
| 9         | 4              | 12155000/0     | Mutter             | Nut                       |                  |
| 10        | 2              | 12523060/0     | Bricka             | Washer                    |                  |
| 11        | 1              | 12523080/0     | Bricka             | Washer                    |                  |
| 12        | 1              | 22399813/0     | Låsrratt           | Knob                      |                  |



| Pos. Fig. | Antal Quantity | Art No Part No | Benämning    | Description   | Anmärkning Notes |
|-----------|----------------|----------------|--------------|---------------|------------------|
| 1         | 1              | 22722804/1     | Hus          | R Protection  |                  |
| 2         | 1              | 381000742/1    | Chokereglage | Starter Drive |                  |
| 2         | 1              | 381000742/1    | Chokereglage | Starter Drive | (GGP 200 cc)     |
| 2         | 1              | 381030022/0    | Chokereglage | Starter Drive |                  |
| 2         | 1              | 381030022/0    | Chokereglage | Starter Drive | (GGP 160 cc)     |
| 2         | 1              | 381030024/0    | Chokereglage | Starter Drive |                  |
| 2         | 1              | 381030024/0    | Chokereglage | Starter Drive | (Honda)          |
| 3         | 1              | 22722805/1     | Lock         | L Protection  |                  |
| 4         | 1              | 12728300/0     | Skruv        | Screw         |                  |

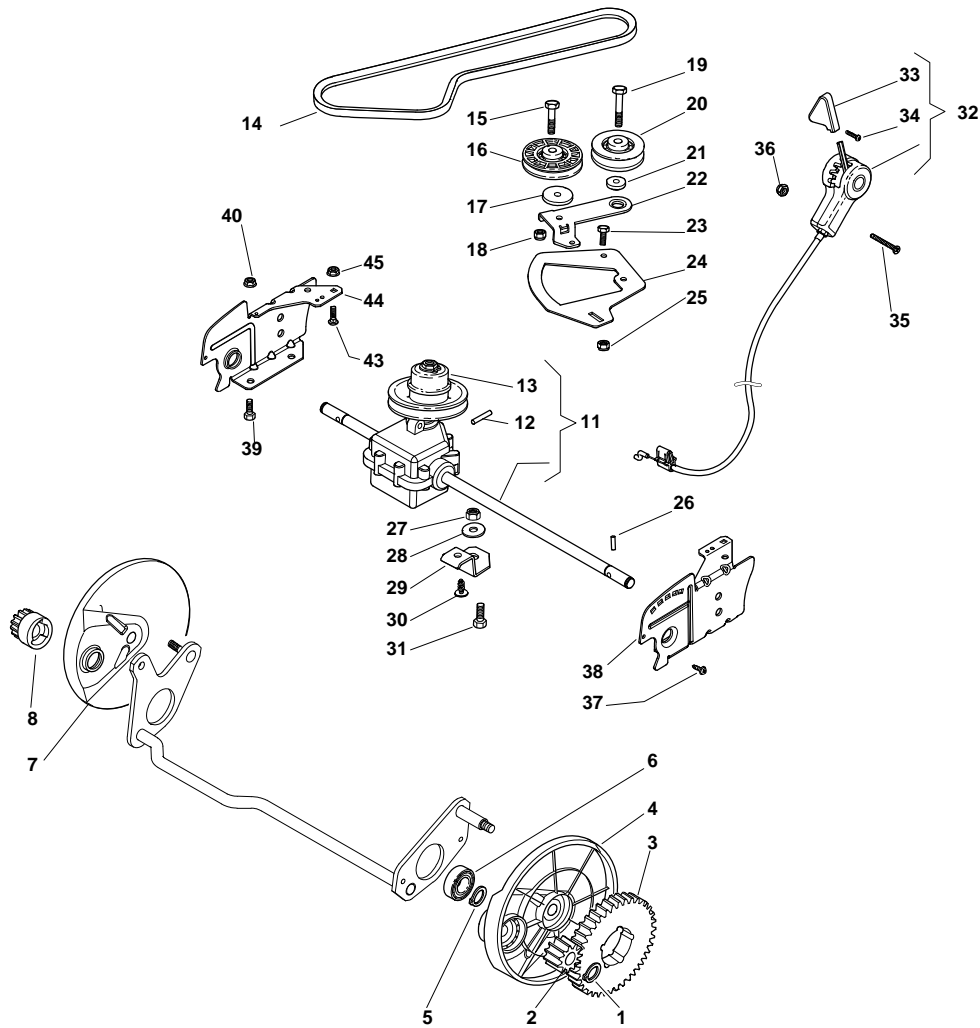




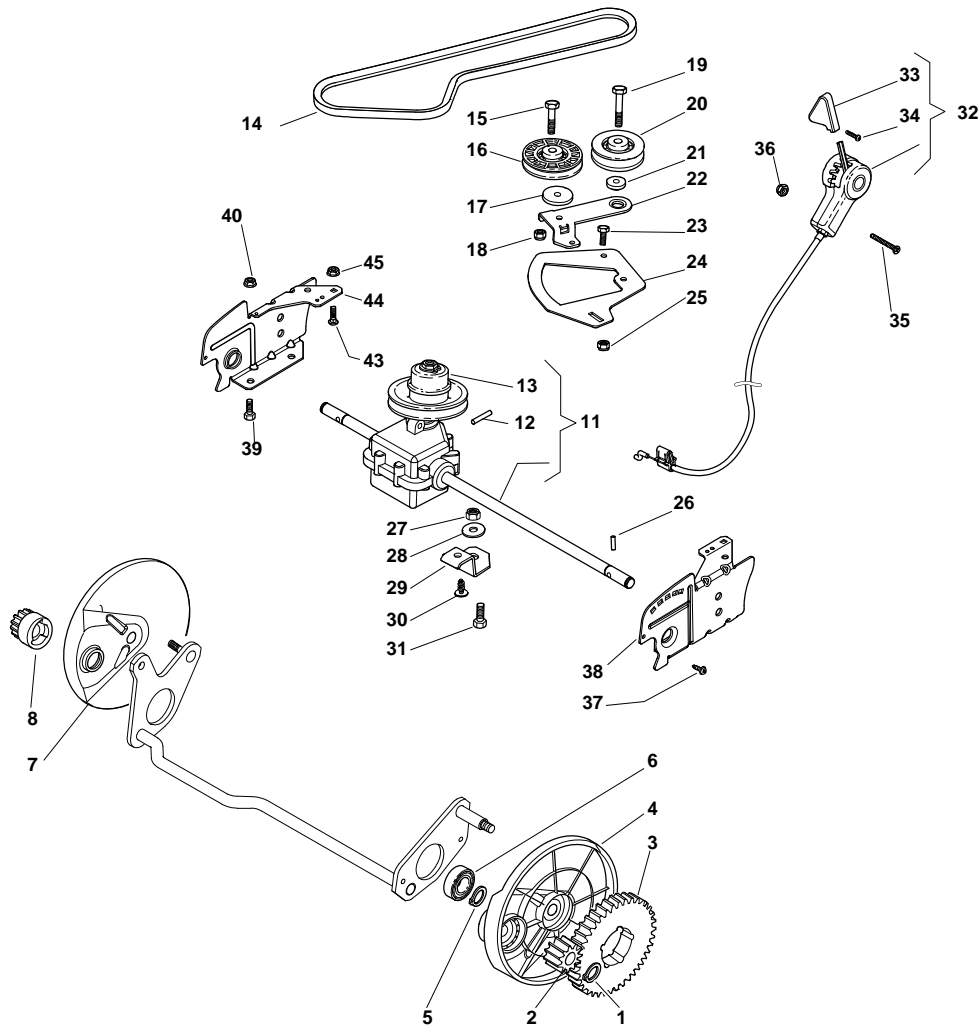


## MULTICLIP 50 4S SILENT RENTAL - Model Year 2009

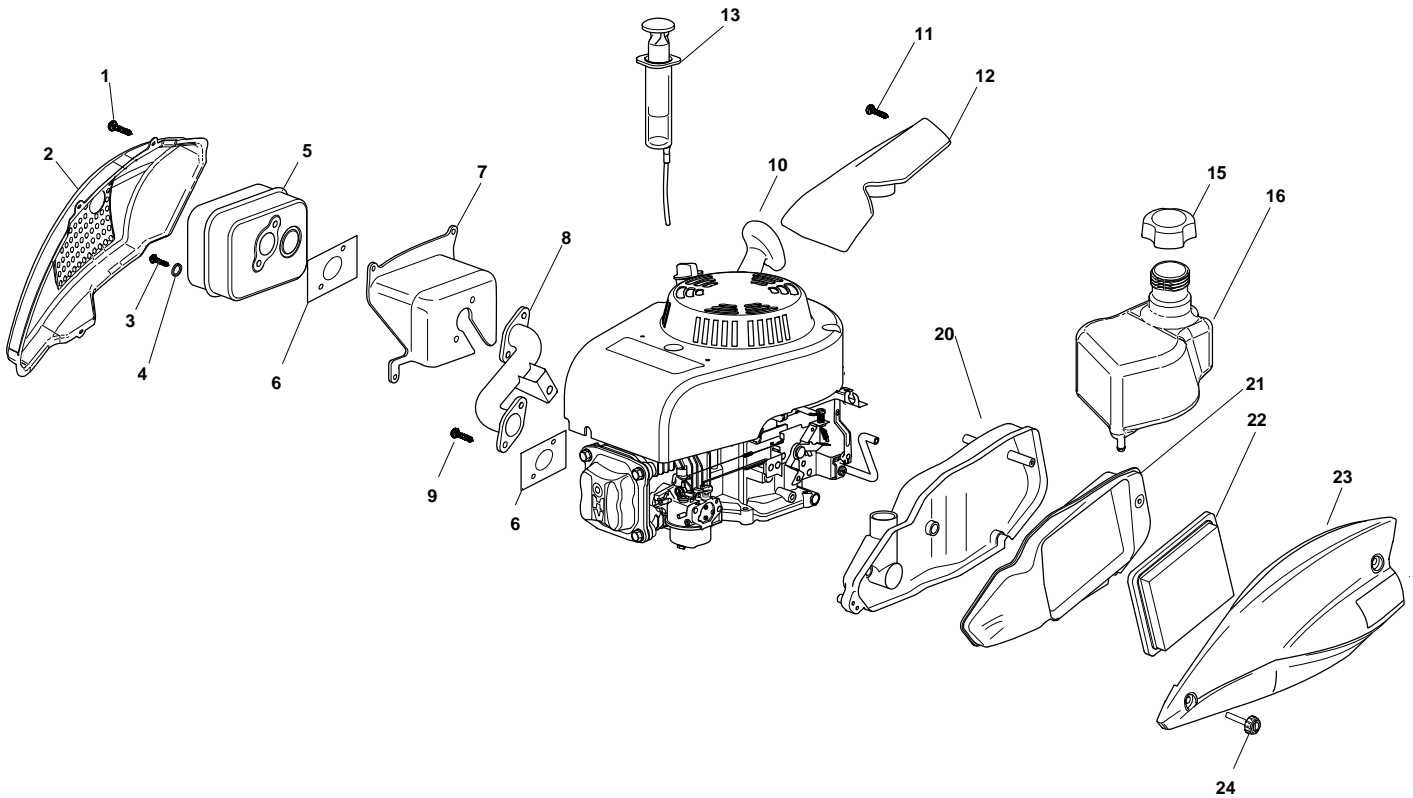
| Pos. Fig. | Antal Quantity | Art No Part No | Benämning       | Description         | Anmärkning Notes |
|-----------|----------------|----------------|-----------------|---------------------|------------------|
| 1         | 1              | 381119702/0    | Kípa-övre       | Cover, Upper Grey   |                  |
| 2         | 1              | 122517861/0    | Sprint          | Pin                 |                  |
| 3         | 1              | 322109801/0    | Kípa-övre       | Cover, Upper Yellow |                  |
| 3         | 1              | 322109801/0    | Kípa-övre       | Cover, Upper Yellow | Stiga            |
| 4         | 1              | 322109745/0    | Kípa-grí        | Cover, Grey         |                  |
| 5         | 6              | 112728706/0    | Skruv           | Screw               |                  |
| 6         | 1              | 322109804/0    | Frontkípa-gul   | Mask, Yellow        | Stiga            |
| 6         | 1              | 322109804/0    | Frontkípa-gul   | Mask, Yellow        |                  |
| 7         | 1              | 322109802/0    | Kípa-undre      | Cover, Lower Yellow |                  |
| 7         | 1              | 322109802/0    | Kípa-undre      | Cover, Lower Yellow | Stiga            |
| 8         | 2              | 112728696/0    | Skruv           | Screw               |                  |
| 9         | 1              | 322109799/0    | Kípa-bakre, grí | Rear Cover, Grey    |                  |
| 10        | 1              | 322109798/0    | Kípa-bakre, grí | Rear Cover, Grey    |                  |
| 11        | 1              | 322109800/0    | Kípa-bakre, grí | Rear Cover, Grey    |                  |
| 12        | 1              | 322060227/0    | Skydd           | Protection          |                  |
| 13        | 3              | 12728530/0     | Skruv           | Screw               |                  |



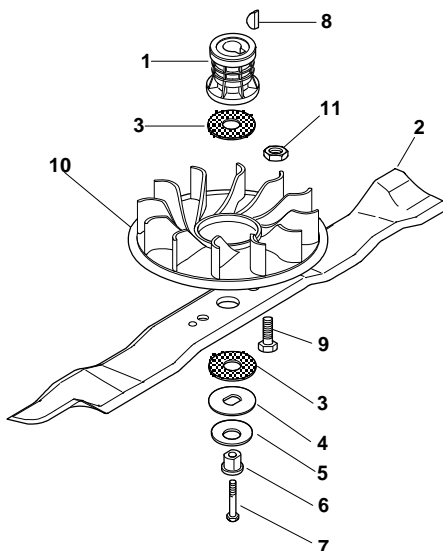
| Pos. Fig. | Antal Quantity | Art No Part No | Benämning       | Description                | Anmärkning Notes |
|-----------|----------------|----------------|-----------------|----------------------------|------------------|
| 1         | 2              | 12608600/0     | Låsring         | Snap Ring                  |                  |
| 2         | 1              | 22570120/1     | Drev            | Pinion L                   |                  |
| 3         | 2              | 22120105/1     | Ringdrev        | Ring Gear                  |                  |
| 4         | 1              | 22600092/0     | Hjulskydd       | Protection, R Wheel        |                  |
| 5         | 2              | 12608600/0     | Låsring         | Snap Ring                  |                  |
| 6         | 2              | 19216035/0     | Lager           | Bearing                    |                  |
| 7         | 1              | 22600093/0     | Hjulskydd       | Protection, L Wheel        |                  |
| 8         | 1              | 22570110/1     | Drev            | Pinion R                   |                  |
| 11        | 1              | 181003098/1    | Transmission    | Gear Box                   |                  |
| 12        | 1              | 12645700/0     | Stift           | Pin                        |                  |
| 13        | 1              | 122601925/0    | Remskiva        | Pulley                     |                  |
| 14        | 1              | 35064010/0     | Drivrem         | Belt                       |                  |
| 15        | 1              | 12674701/0     | Skruv           | Screw                      |                  |
| 16        | 1              | 22601914/0     | Spännrulle      | Pulley                     |                  |
| 17        | 1              | 22680009/0     | Bricka          | Washer                     |                  |
| 18        | 1              | 12154510/0     | Mutter          | Nut                        |                  |
| 19        | 1              | 12689500/0     | Skruv           | Screw                      |                  |
| 20        | 1              | 22601915/0     | Spännrulle      | Pulley                     |                  |
| 21        | 1              | 12793102/0     | Skruv           | Screw                      |                  |
| 21        | 1              | 22671656/0     | Distans         | Washer                     |                  |
| 22        | 1              | 22320007/0     | Spännarm        | Lever                      |                  |
| 23        | 1              | 12791011/0     | Skruv           | Screw                      |                  |
| 24        | 1              | 22806629/0     | Fäste           | Support                    |                  |
| 25        | 2              | 12154510/0     | Mutter          | Nut                        |                  |
| 26        | 2              | 22753000/0     | Stift           | Pin                        |                  |
| 27        | 1              | 12155000/0     | Mutter          | Nut                        |                  |
| 28        | 1              | 12523060/0     | Bricka          | Washer                     |                  |
| 29        | 1              | 22551655/0     | Fäste           | Support                    |                  |
| 30        | 1              | 12728704/0     | Skruv           | Screw                      |                  |
| 31        | 1              | 12793102/0     | Skruv           | Screw                      |                  |
| 32        | 1              | 81007112/0     | Variatorreglage | Cable, Speed Drive Control |                  |

**MULTICLIP 50 4S SILENT RENTAL - Model Year 2009**


| Pos. Fig. | Antal Quantity | Art No Part No | Benämning | Description | Anmärkning Notes |
|-----------|----------------|----------------|-----------|-------------|------------------|
| 33        | 1              | 22399809/0     | Knopp     | Knob        |                  |
| 34        | 1              | 12728300/0     | Skruv     | Screw       |                  |
| 35        | 2              | 12727787/0     | Skruv     | Screw       |                  |
| 36        | 2              | 12154510/0     | Mutter    | Nut         |                  |
| 37        | 2              | 12728450/0     | Skruv     | Screw       |                  |
| 38        | 1              | 22778421/0     | Fäste-vä  | Bracket, L  |                  |
| 39        | 3              | 12792611/0     | Skruv     | Screw       |                  |
| 40        | 3              | 12293201/0     | Mutter    | Nut         |                  |
| 43        | 2              | 12815200/0     | Skruv     | Screw       |                  |
| 44        | 1              | 22778419/0     | Fäste-hö  | Bracket, R  |                  |
| 45        | 2              | 12292102/0     | Mutter    | Nut         |                  |



| Pos. Fig. | Antal Quantity | Art No Part No | Benämning       | Description        | Anmärkning Notes |
|-----------|----------------|----------------|-----------------|--------------------|------------------|
| 1         | 3              | 12735111/0     | Skruv           | Screw              |                  |
| 2         | 1              | 322601005/0    | Ljuddämparskydd | Muffler Protection |                  |
| 3         | 2              | 112689590/0    |                 | Screw              |                  |
| 4         | 2              | 12582100/0     | Låsbricka       | Washer             |                  |
| 5         | 1              | 118550269/0    | Ljuddämpare     | Muffler            |                  |
| 6         | 2              | 118550270/0    | Packning        | Muffler Gasket     |                  |
| 7         | 1              | 381750101/0    | Skydd           | Guard              |                  |
| 8         | 1              | 118738233/0    | Avgasrör        | Exhaust Tube       |                  |
| 9         | 3              | 12735599/0     | Skruv           | Screw              |                  |
| 10        | 1              | 118550410/0    | Motor kpl       | Engine             |                  |
| 11        | 2              | 12728700/0     | Skruv           | Screw              |                  |
| 12        | 1              | 322785269/0    | Kåpa            | Cover              |                  |
| 13        | 1              | 18718000/0     | Oljepump        | Syringe            |                  |
| 15        | 1              | 27790000/1     | Lock            | Cap                |                  |
| 16        | 1              | 322735150/0    | Tank            | Tank               |                  |
| 20        | 1              | 322785268/0    | Luftfilterhus   | Air Cleaner Base   |                  |
| 21        | 1              | 322785267/0    | Kåpa            | Cover              |                  |
| 22        | 1              | 118550257/0    | Luftfilter      | Air Filter         |                  |
| 23        | 1              | 322109746/0    | Luftfilterlock  | Air Cleaner Cover  |                  |
| 24        | 2              | 381004362/0    | Skruv           | Screw              |                  |



| Pos. Fig. | Antal Quantity | Art No Part No | Benämning       | Description   | Anmärkning Notes |
|-----------|----------------|----------------|-----------------|---------------|------------------|
| 1         | 1              | 22465611/0     | Nav             | Hub           |                  |
| 2         | 1              | 181004148/0    | Kniv            | Blade         |                  |
| 3         | 2              | 22672110/1     | Friktionsbricka | Clutch Washer |                  |
| 4         | 1              | 22672105/0     | Bricka          | Washer        |                  |
| 5         | 1              | 12508120/0     | Tallriksbricka  | Cupped Spring |                  |
| 6         | 1              | 22041940/0     | Bussning        | Clutch Bush   |                  |
| 7         | 1              | 12736850/0     | Skruv           | Screw         |                  |
| 8         | 1              | 12139100/0     | Kil             | Key           |                  |
| 9         | 2              | 12791400/0     | Skruv           | Screw         |                  |
| 10        | 1              | 322465635/0    | Fläkt           | Hub Fan       |                  |
| 11        | 2              | 12154510/0     | Mutter          | Nut           |                  |