

Parts Catalogue

for model
MP1 554 WSV

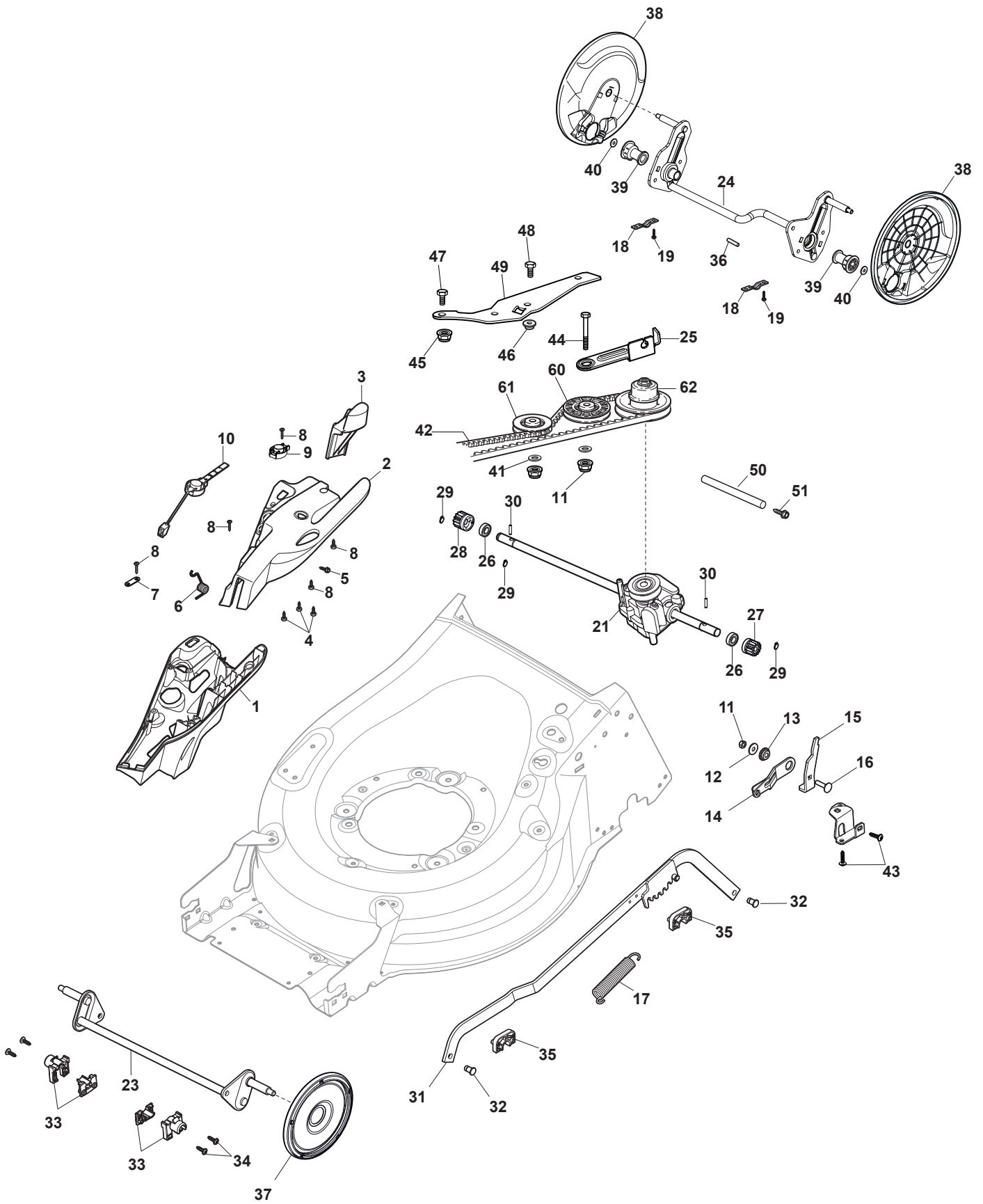
- Use GLOBAL GARDEN PRODUCT Genuine Spare Parts specified in the parts list for repair and/or replacement.
- The contents described in the parts list may change due to improvement.
- The drawings of the spare parts are only indicative and might not represent the part in question exactly.
- The indications "right" - "left" - "front" - "rear" refer to the position of the operator when using the machine.
- When placing orders of parts for repair and/or replacement, make sure that the illustrated parts list is the one applying to the machine's year of manufacture, as shown on the identification plate attached to the machine.

© Copyright 2016 Global Garden Products

All content is subject to copyright by Global Garden Products and may not be reproduced in whole or in part by any means, electronic or otherwise, without prior written approval.

THIS INFORMATION IS NOT INTENDED FOR SALE OR RESALE, AND THIS NOTICE MUST REMAIN ON ALL COPIES.





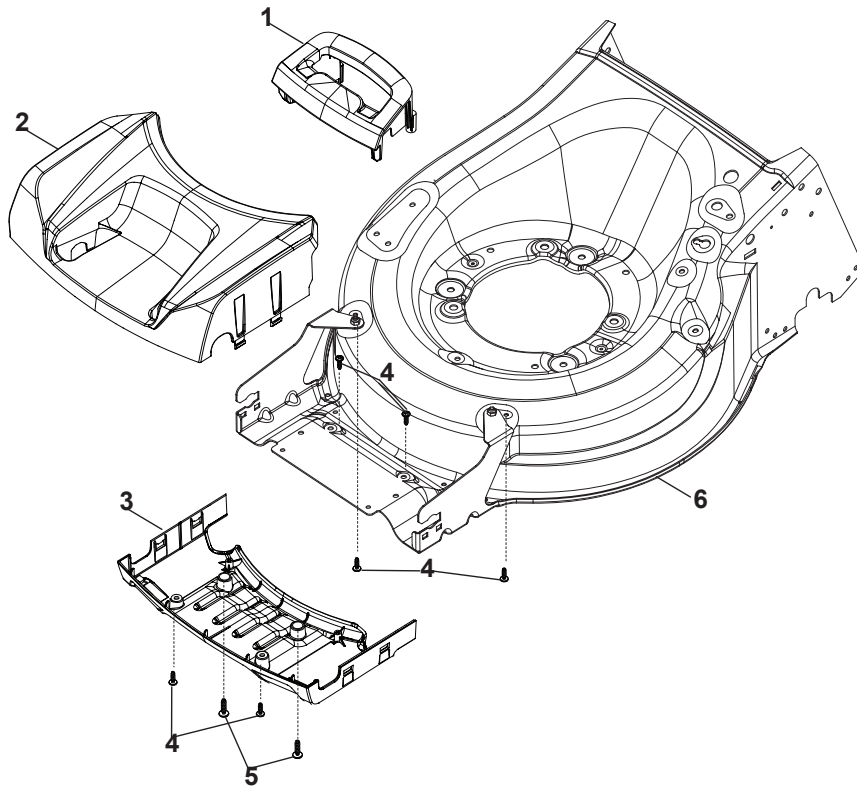
| Fig. | Q.ty | Part No | Description | Notes |
|------|------|-------------|--------------------------|----------------------|
| 14 | 1 | 381003475/1 | Lever, Height Adjustment | |
| 1 | 1 | 322055264/0 | Lower Cover | |
| 2 | 1 | 322055265/0 | Upper Cover | |
| 3 | 1 | 322602026/0 | Button | |
| 4 | 5 | 112728699/0 | Screw | |
| 5 | 1 | 125943004/0 | Screw | |
| 6 | 1 | 122450477/0 | Spring | |
| 7 | 1 | 322981471/1 | Plate | |
| 8 | 5 | 112728697/0 | Screw | |
| 9 | 1 | 322602027/0 | Lens | |
| 10 | 1 | 322602028/0 | Visualizer | |
| 11 | 1 | 112154510/0 | Nut | |
| 12 | 1 | 112523040/0 | Washer | |
| 13 | 1 | 122517873/0 | Pin | |
| 15 | 1 | 322778475/0 | Bracket | |
| 16 | 1 | 112815270/0 | Screw | |
| 17 | 1 | 122450480/0 | Spring | |
| 18 | 2 | 322545152/0 | Plate | |
| 19 | 4 | 112728698/0 | Screw | |
| 20 | 1 | 322778477/0 | Bracket | |
| 21 | 1 | 181003116/0 | Gear Box | |
| 23 | 1 | 381302883/0 | Front Wheel Axle | |
| 24 | 1 | 381302889/0 | Rear Wheel Axle | |
| 25 | 1 | 322806647/0 | Bracket | |
| 26 | 2 | 119216035/0 | Bearing | |
| 27 | 1 | 122570110/1 | Pinion Right | |
| 28 | 1 | 122570120/1 | Pinion Left | |
| 29 | 4 | 112608600/0 | Seeger | |
| 30 | 2 | 122753000/0 | Pin | |
| 31 | 1 | 381002046/0 | Wheels Control Rod | |
| 32 | 2 | 122519820/0 | Pin | |
| 33 | 2 | 322785305/1 | Support | |
| 34 | 4 | 112728697/0 | Screw | |
| 35 | 2 | 112436051/0 | Plate | |
| 37 | 2 | 322600145/0 | Protection, Wheel | Not for Delta Wheels |
| 38 | 2 | 322600208/0 | Protection, Wheel | |
| 39 | 2 | 322042068/0 | Bushing | |
| 40 | 2 | 112521371/0 | Washer | |
| 41 | 2 | 112523050/0 | Washer | |
| 42 | 1 | 135064379/0 | Belt | |
| 43 | 5 | 112728704/1 | Screw | |
| 44 | 1 | 112674550/0 | Screw | |
| 45 | 2 | 112154210/0 | Nut | |
| 46 | 1 | 122671656/0 | Washer | |
| 47 | 2 | 112792611/0 | Screw | |
| 48 | 2 | 112689500/0 | Screw | |
| 49 | 1 | 322806649/0 | Bracket | |
| 50 | 1 | 322608567/0 | Axle | |
| 51 | 2 | 112735120/0 | Screw | |
| 60 | 1 | 122601914/0 | Pulley | |
| 61 | 1 | 122601915/0 | Pulley | |

MP1 554 WSV

Petrol Lawn Mower Deck And Height Adjusting

Issue 13 - 2016

| Fig. | Q.ty | Part No | Description | Notes |
|------|------|-------------|-------------|-------|
| 62 | 1 | 122601932/0 | Pulley | |

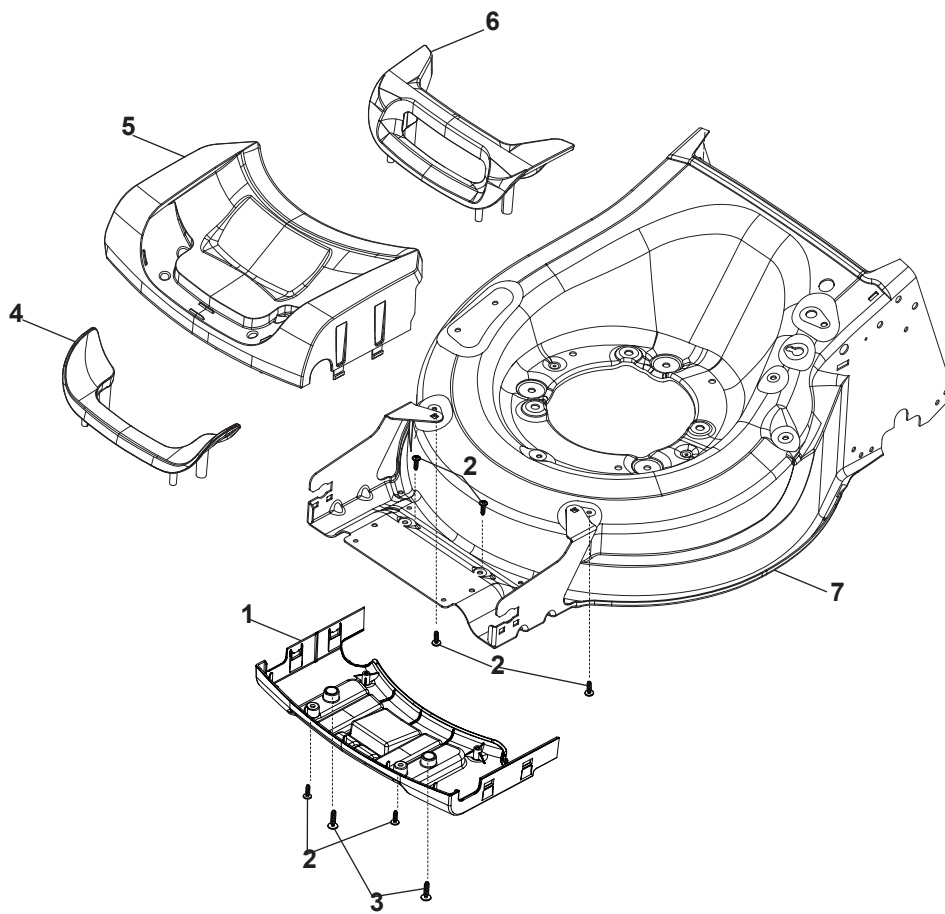


MP1 554 WSV

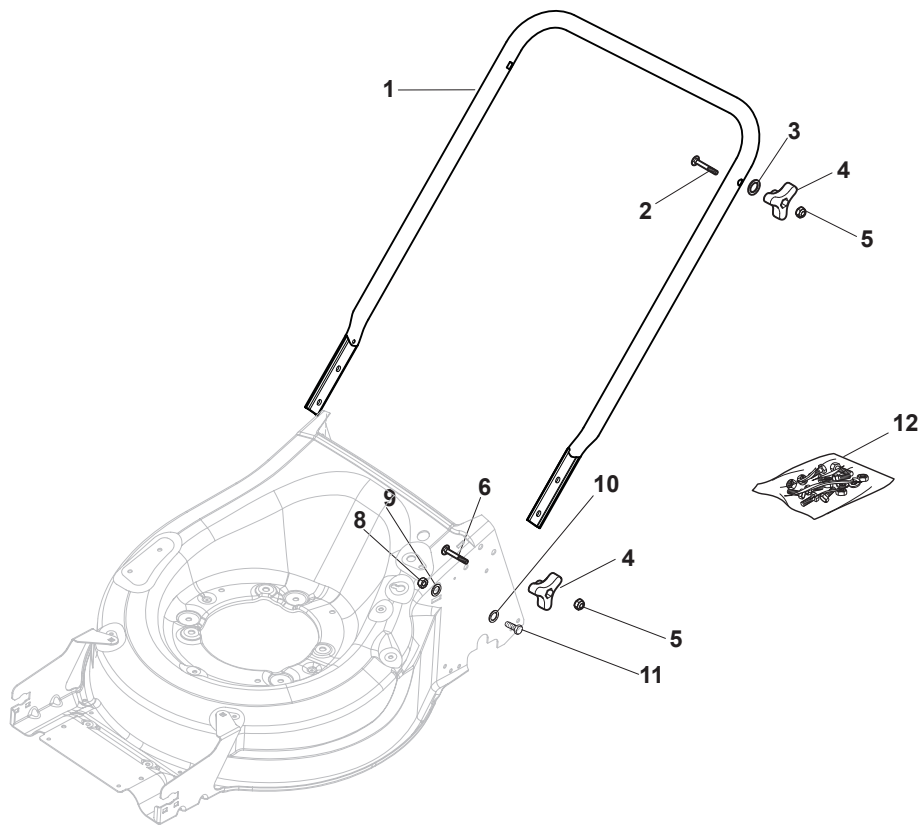
Petrol Lawn Mower Mask

Issue 13 - 2016

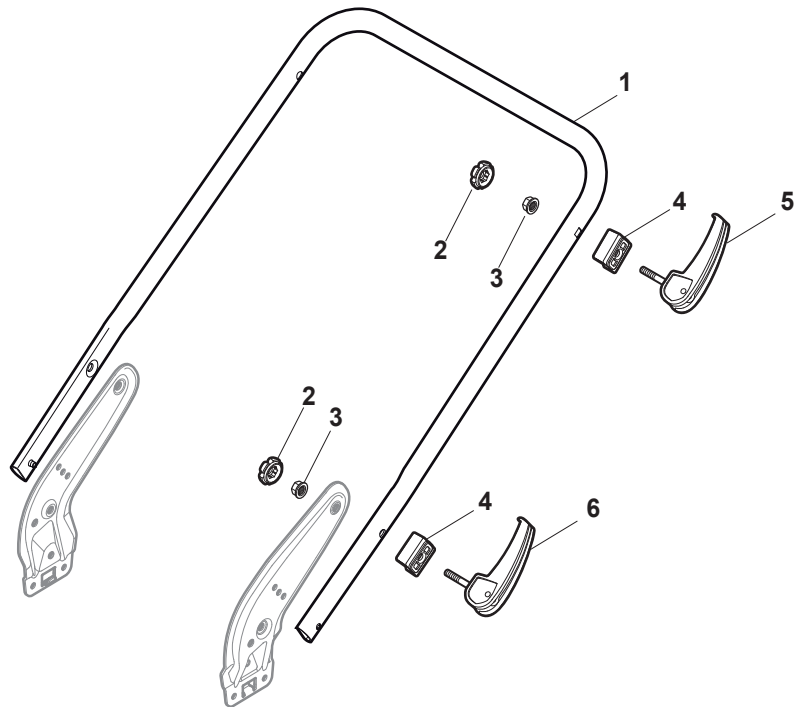
| Fig. | Q.ty | Part No | Description | Notes |
|------|------|-------------|-------------|-------|
| 1 | 1 | 322393741/0 | Handle | |
| 2 | 1 | 322226216/0 | Mask, White | |
| 3 | 1 | 322500112/0 | Front Combi | |
| 4 | 6 | 112728697/0 | Screw | |
| 5 | 2 | 112728699/0 | Screw | |
| 6 | 1 | 381004778/0 | Red Deck | |



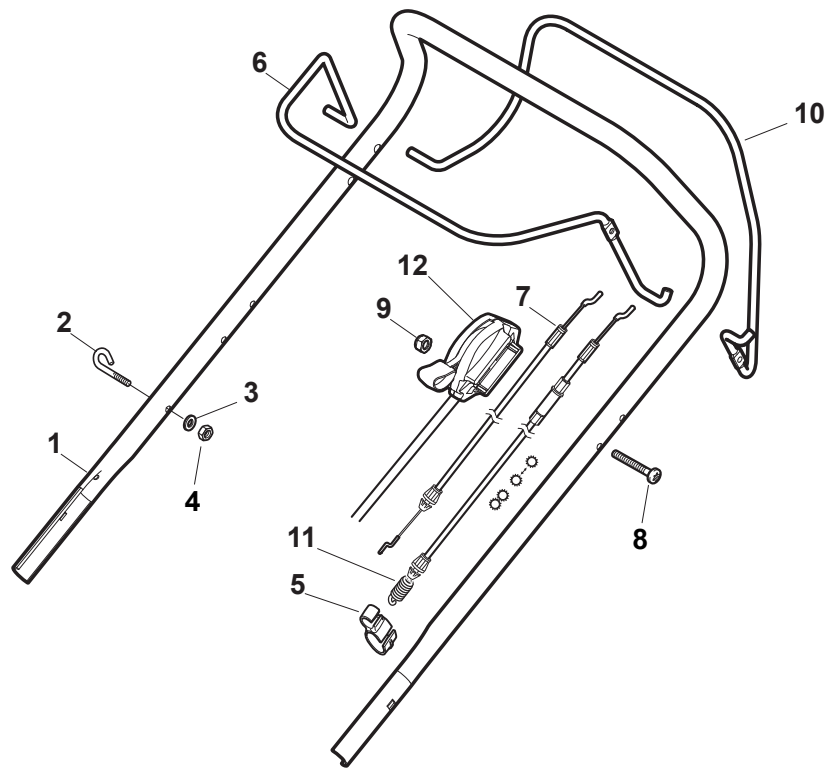
| Fig. | Q.ty | Part No | Description | Notes |
|------|------|-------------|-------------|-------|
| 1 | 1 | 322500113/0 | Front Combi | |
| 2 | 6 | 112728697/0 | Screw | |
| 3 | 2 | 112728699/0 | Screw | |
| 4 | 1 | 322055524/0 | Insert | |
| 5 | 1 | 322226217/0 | Mask, Red | |
| 6 | 1 | 322393742/0 | Handle | |
| 7 | 1 | 381004778/0 | Red Deck | |



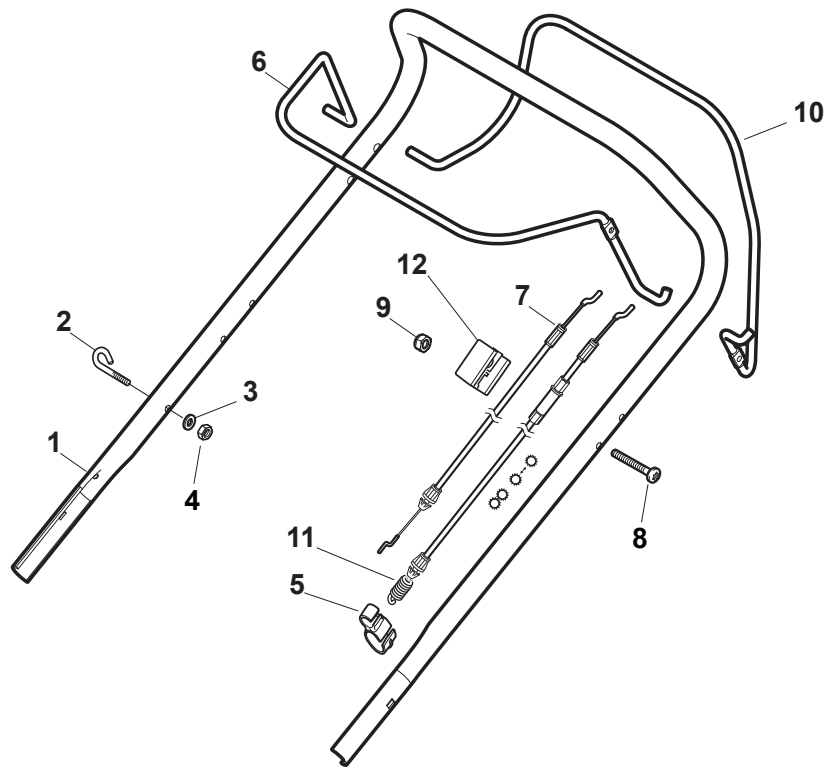
| Fig. | Q.ty | Part No | Description | Notes |
|------|------|-------------|-------------------|-------|
| 1 | 1 | 381006785/0 | Handle Lower Part | Black |
| 2 | 2 | 112819110/0 | Screw | |
| 3 | 2 | 122671651/0 | Washer | |
| 4 | 2 | 122399900/0 | Knob | |
| 5 | 2 | 112293200/0 | Nut | |
| 6 | 2 | 112818900/0 | Screw | |
| 8 | 2 | 112155000/0 | Nut | |
| 9 | 2 | 112521350/0 | Washer | |
| 10 | 2 | 112369500/0 | Elastic Washer | |
| 11 | 2 | 112760605/0 | Screw | |
| 12 | 1 | 381008730/0 | Outfit | Black |



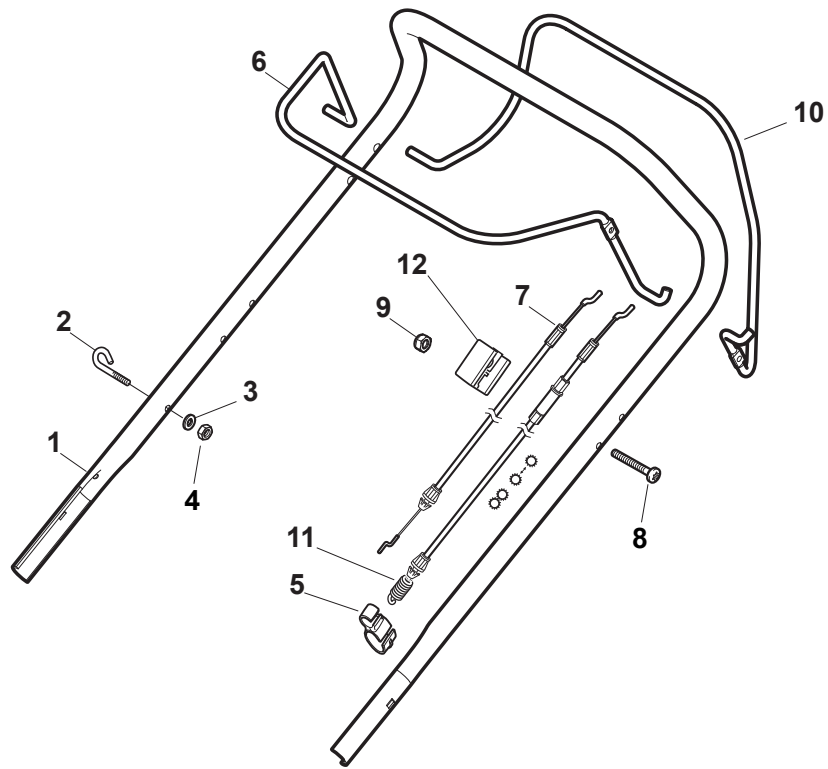
| Fig. | Q.ty | Part No | Description | Notes |
|------|------|-------------|--------------|-------|
| 1 | 1 | 381007563/0 | Lower handle | |
| 2 | 4 | 322399835/0 | Knob | |
| 3 | 4 | 122131750/0 | Nut | |
| 4 | 4 | 322680016/0 | Washer | |
| 5 | 2 | 381103350/0 | Handle | Black |
| 6 | 2 | 381003253/0 | Handle | Black |



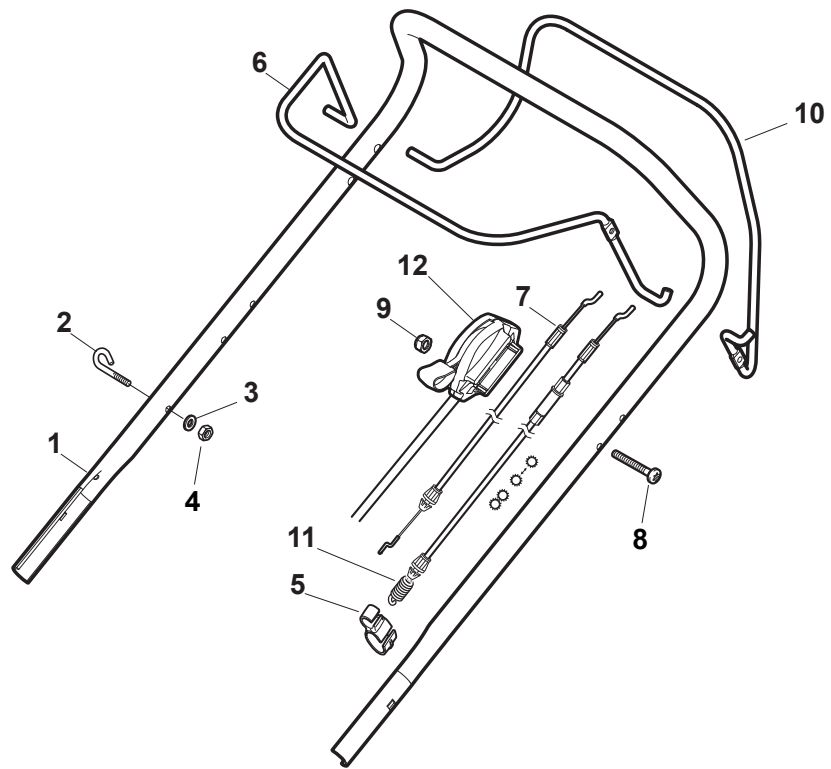
| Fig. | Q.ty | Part No | Description | Notes |
|------|------|-------------|---|---|
| 1 | 1 | 381006739/1 | Handle, Upper Part | Black without Sponge |
| 1 | 1 | 381006745/1 | Handle, Upper Part with sponge handgrip | Black with Sponge |
| 1 | 1 | 381006753/0 | Handle, Upper Part Yellow | Yellow without Sponge |
| 1 | 1 | 381006754/0 | Handle, Upper Part Yellow | Yellow with Sponge |
| 1 | 1 | 381006787/0 | Handle, Upper Part | Black without Sponge for TRE models |
| 1 | 1 | 381007571/0 | Handle, Upper Part | Black with Sponge for models with Stepless |
| 2 | 1 | 122430313/0 | Guide Spring | |
| 3 | 1 | 112521330/0 | Washer | |
| 4 | 1 | 112154510/0 | Nut | |
| 5 | 1 | 118390020/0 | Conduit Clip | |
| 6 | 1 | 181003363/1 | Lever, Engine Brake Black | Black |
| 6 | 1 | 381003365/0 | Lever, Engine Brake Yellow | Yellow |
| 7 | 1 | 181030053/0 | Cable, Thread Engine Brake | Handle w/Lever - For B&S 675-750 Engine |
| 7 | 1 | 181030053/0 | Cable, Thread Engine Brake | Handle w/Knob - For B&S 675 and GGP 160/ES |
| 7 | 1 | 181030054/0 | Cable, Thread Engine Brake | Handle w/Knob - For WBE 140 Engine |
| 7 | 1 | 181030054/0 | Cable, Thread Engine Brake | Handle w/Lever - For B&S 675E Engine |
| 7 | 1 | 181030057/0 | Cable, Thread Engine Brake | Handle w/Lever - For B&S 675-750-775 Engine |
| 7 | 1 | 181030057/0 | Cable, Thread Engine Brake | Handle w/Knob - For B&S 675E |
| 7 | 1 | 181030070/0 | Cable, Thread Engine Brake | Handle w/Knob - For Honda Engine MP1 55 |
| 7 | 1 | 181030070/0 | Cable, Thread Engine Brake | Handle w/Knob - For B&S 625E675EXI-850 Engine |
| 7 | 1 | 181030087/0 | Cable, Thread Engine Brake | Handle w/Knob - For B&S 750-775 Engine |
| 7 | 1 | 181030088/0 | Cable, Thread Engine Brake | Handle w/Knob - For B&S 550E-625E-675 Engine |
| 7 | 1 | 181030088/0 | Cable, Thread Engine Brake | Handle w/Knob - For Honda Engine MP1 50 |
| 7 | 1 | 181030105/0 | Cable, Thread Engine Brake | Handle w/Lever - For WBE 140 Engine |
| 7 | 1 | 181030106/0 | Cable, Thread Engine Brake | Handle w/Lever - For B&S 550E-625E-850 Engine |
| 7 | 1 | 181030106/0 | Cable, Thread Engine Brake | Handle w/Lever - For WBE0702 Engine |
| 7 | 1 | 181030106/0 | Cable, Thread Engine Brake | Handle w/Lever - For Honda Engine |
| 8 | 1 | 112727788/0 | Screw | |
| 9 | 1 | 112154510/0 | Nut | |
| 10 | 1 | 181003364/0 | Drive Control Lever | Black |
| 10 | 1 | 381003366/0 | Lever, Driving Yellow | Yellow |
| 11 | 1 | 381030104/0 | Clutch Cable | |
| 12 | 1 | 181005537/0 | Throttle Cable | for Handle with Knob |
| 12 | 1 | 181005539/0 | Throttle Cable | for Handle with Lever |



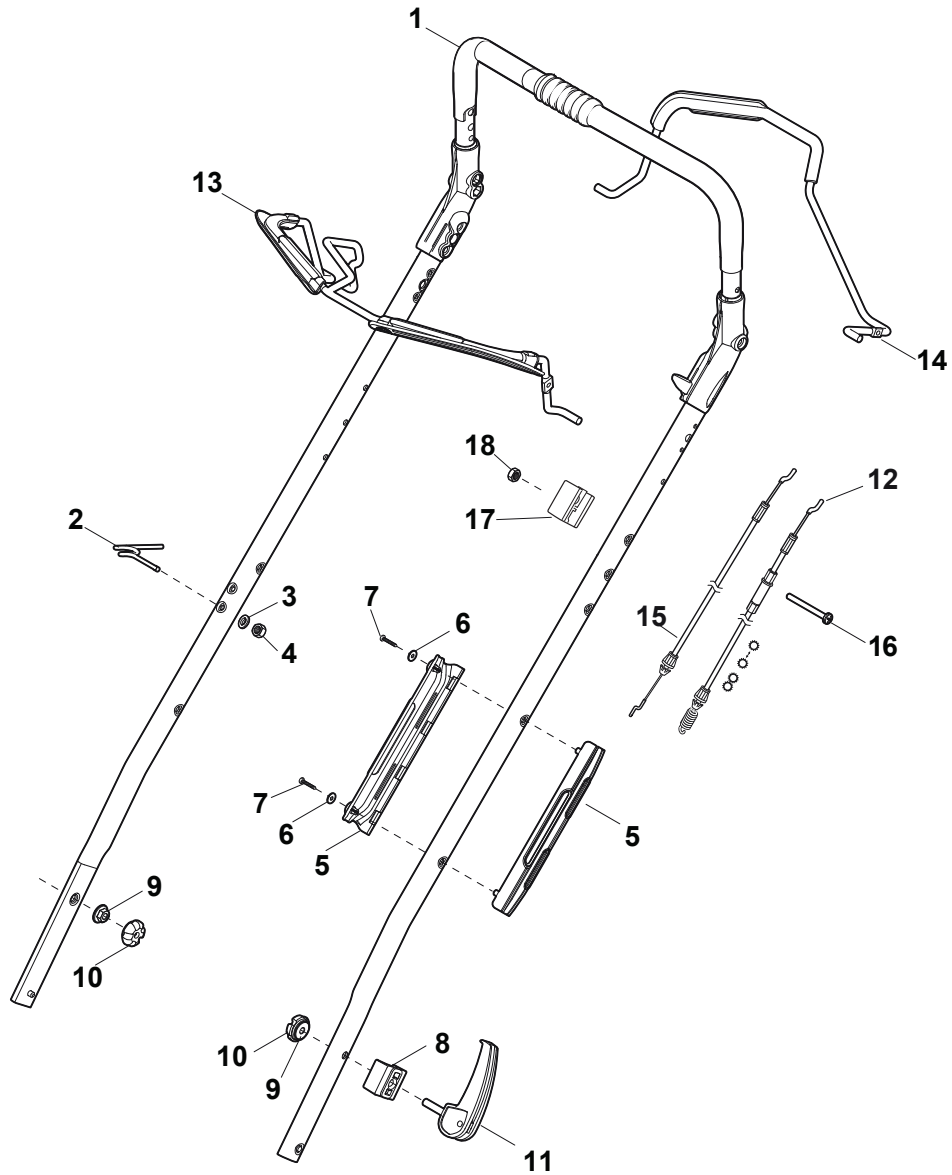
| Fig. | Q.ty | Part No | Description | Notes |
|------|------|-------------|---|--|
| 1 | 1 | 381006739/1 | Handle, Upper Part | Black without Sponge |
| 1 | 1 | 381006745/1 | Handle, Upper Part with sponge handgrip | Black with Sponge |
| 1 | 1 | 381006753/0 | Handle, Upper Part Yellow | Yellow without Sponge |
| 1 | 1 | 381006754/0 | Handle, Upper Part Yellow | Yellow with Sponge |
| 1 | 1 | 381006787/0 | Handle, Upper Part | Black without Sponge for TRE models |
| 1 | 1 | 381007571/0 | Handle, Upper Part | Black with Sponge for models with Stepless |
| 2 | 1 | 122430313/0 | Guide Spring | |
| 3 | 1 | 112521330/0 | Washer | |
| 4 | 1 | 112154510/0 | Nut | |
| 5 | 1 | 118390020/0 | Conduit Clip | |
| 6 | 1 | 181003363/1 | Lever, Engine Brake Black | Black |
| 6 | 1 | 381003365/0 | Lever, Engine Brake Yellow | Yellow |
| 6 | 1 | 381003376/0 | Lever, Engine Brake Red | Red |
| 7 | 1 | 181030053/0 | Cable, Thread Engine Brake | Handle w/Lever - For B&S 675-750 Engine |
| 7 | 1 | 181030053/0 | Cable, Thread Engine Brake | Handle w/Knob - For B&S 675 and GGP 160/ES |
| 7 | 1 | 181030054/0 | Cable, Thread Engine Brake | Handle w/Knob - For WBE 140 Engine |
| 7 | 1 | 181030054/0 | Cable, Thread Engine Brake | Handle w/Lever - For B&S 675E Engine |
| 7 | 1 | 181030057/0 | Cable, Thread Engine Brake | Handle w/Lever - For B&S 675-750-775 Engine |
| 7 | 1 | 181030057/0 | Cable, Thread Engine Brake | Handle w/Knob - For B&S 675E |
| 7 | 1 | 181030070/0 | Cable, Thread Engine Brake | Handle w/Knob - For Honda Engine MP1 55 |
| 7 | 1 | 181030070/0 | Cable, Thread Engine Brake | Handle w/Knob - For B&S 625E-675EXI-850 Engine |
| 7 | 1 | 181030087/0 | Cable, Thread Engine Brake | Handle w/Knob - For B&S 750-775 Engine |
| 7 | 1 | 181030088/0 | Cable, Thread Engine Brake | Handle w/Knob - For B&S 550E-625E-675 Engine |
| 7 | 1 | 181030088/0 | Cable, Thread Engine Brake | Handle w/Knob - For Honda Engine MP1 50 |
| 7 | 1 | 181030105/0 | Cable, Thread Engine Brake | Handle w/Lever - For WBE 140 Engine |
| 7 | 1 | 181030106/0 | Cable, Thread Engine Brake | Handle w/Lever - For B&S 550E-625E-675EXI-675IS-850 Engine |
| 7 | 1 | 181030106/0 | Cable, Thread Engine Brake | Handle w/Lever - For WBE0702 Engine |
| 7 | 1 | 181030106/0 | Cable, Thread Engine Brake | Handle w/Lever - For Honda Engine |
| 8 | 1 | 112727783/0 | Screw | |
| 9 | 1 | 112154510/0 | Nut | |
| 10 | 1 | 181003364/0 | Drive Control Lever | Black |
| 10 | 1 | 381003366/0 | Lever, Driving Yellow | Yellow |
| 11 | 1 | 381030104/0 | Clutch Cable | |
| 12 | 1 | 322551640/0 | Plate | |



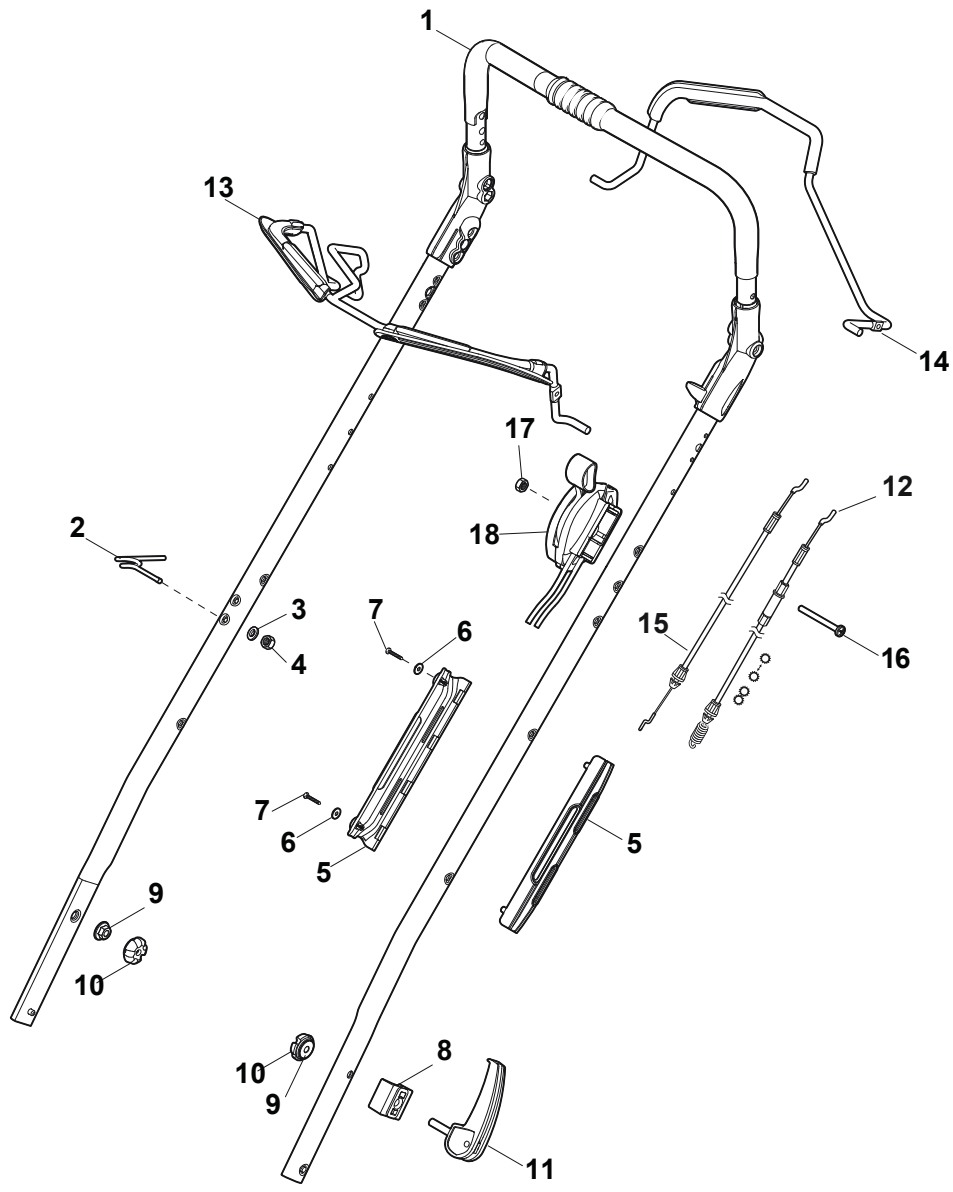
| Fig. | Q.ty | Part No | Description | Notes |
|------|------|-------------|---|--|
| 1 | 1 | 381006739/1 | Handle, Upper Part | Black without Sponge |
| 1 | 1 | 381006745/1 | Handle, Upper Part with sponge handgrip | Black with Sponge |
| 1 | 1 | 381006753/0 | Handle, Upper Part Yellow | Yellow without Sponge |
| 1 | 1 | 381006754/0 | Handle, Upper Part Yellow | Yellow with Sponge |
| 1 | 1 | 381006787/0 | Handle, Upper Part | Black without Sponge for TRE models |
| 1 | 1 | 381007571/0 | Handle, Upper Part | Black with Sponge for models with Stepless |
| 2 | 1 | 122430313/0 | Guide Spring | |
| 3 | 1 | 112521330/0 | Washer | |
| 4 | 1 | 112154510/0 | Nut | |
| 5 | 1 | 118390020/0 | Conduit Clip | |
| 6 | 1 | 181003363/1 | Lever, Engine Brake Black | Black |
| 6 | 1 | 381003365/0 | Lever, Engine Brake Yellow | Yellow |
| 6 | 1 | 381003376/0 | Lever, Engine Brake Red | Red |
| 7 | 1 | 181030087/0 | Cable, Thread Engine Brake | Handle w/Knob - For B&S 775 IS |
| 7 | 1 | 181030088/0 | Cable, Thread Engine Brake | Handle w/Knob - For B&S 675 IS |
| 7 | 1 | 181030057/0 | Cable, Thread Engine Brake | Handle w/Lever - For B&S 775 IS |
| 7 | 1 | 181030106/0 | Cable, Thread Engine Brake | Handle w/Lever - For B&S 675 IS |
| 8 | 1 | 112727783/0 | Screw | |
| 9 | 1 | 112154510/0 | Nut | |
| 10 | 1 | 181003364/0 | Drive Control Lever | Black |
| 10 | 1 | 381003366/0 | Lever, Driving Yellow | Yellow |
| 11 | 1 | 381030104/0 | Clutch Cable | |
| 12 | 1 | 322551640/0 | Plate | |



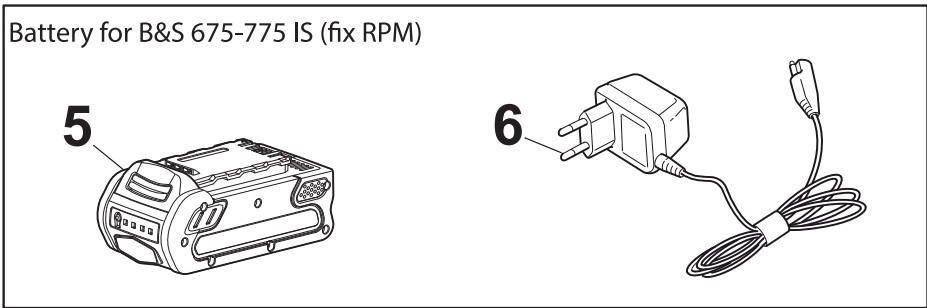
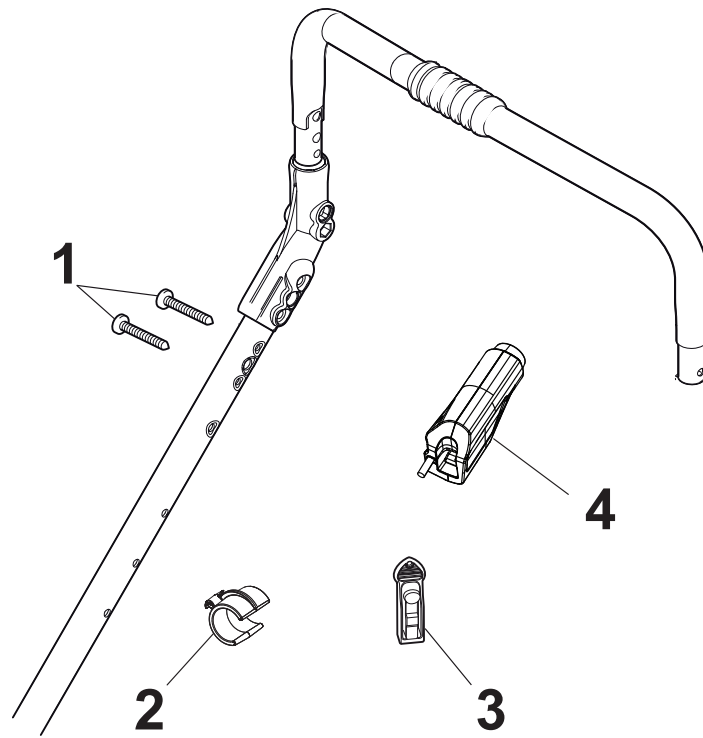
| Fig. | Q.ty | Part No | Description | Notes |
|------|------|-------------|---|--|
| 1 | 1 | 381006739/1 | Handle, Upper Part | Black without Sponge |
| 1 | 1 | 381006745/1 | Handle, Upper Part with sponge handgrip | Black with Sponge |
| 1 | 1 | 381006753/0 | Handle, Upper Part Yellow | Yellow without Sponge |
| 1 | 1 | 381006754/0 | Handle, Upper Part Yellow | Yellow with Sponge |
| 1 | 1 | 381006787/0 | Handle, Upper Part | Black without Sponge for TRE models |
| 1 | 1 | 381007571/0 | Handle, Upper Part | Black with Sponge for models with Stepless |
| 2 | 1 | 122430313/0 | Guide Spring | |
| 3 | 1 | 112521330/0 | Washer | |
| 4 | 1 | 112154510/0 | Nut | |
| 5 | 1 | 118390020/0 | Conduit Clip | |
| 6 | 1 | 181003363/1 | Lever, Engine Brake Black | Black |
| 6 | 1 | 381003365/0 | Lever, Engine Brake Yellow | Yellow |
| 7 | 1 | 181030087/0 | Cable, Thread Engine Brake | Handle w/Knob - For B&S 775 IS |
| 7 | 1 | 181030088/0 | Cable, Thread Engine Brake | Handle w/Knob - For B&S 675 IS |
| 7 | 1 | 181030057/0 | Cable, Thread Engine Brake | Handle w/Lever - For B&S 775 IS |
| 7 | 1 | 181030106/0 | Cable, Thread Engine Brake | Handle w/Lever - For B&S 675 IS |
| 8 | 1 | 112727783/0 | Screw | |
| 9 | 1 | 112154510/0 | Nut | |
| 10 | 1 | 181003364/0 | Drive Control Lever | Black |
| 10 | 1 | 381003366/0 | Lever, Driving Yellow | Yellow |
| 11 | 1 | 381030104/0 | Clutch Cable | |
| 12 | 1 | 181005537/0 | Throttle Cable | for Handle with Knob |
| 12 | 1 | 181005539/0 | Throttle Cable | for Handle with Lever |



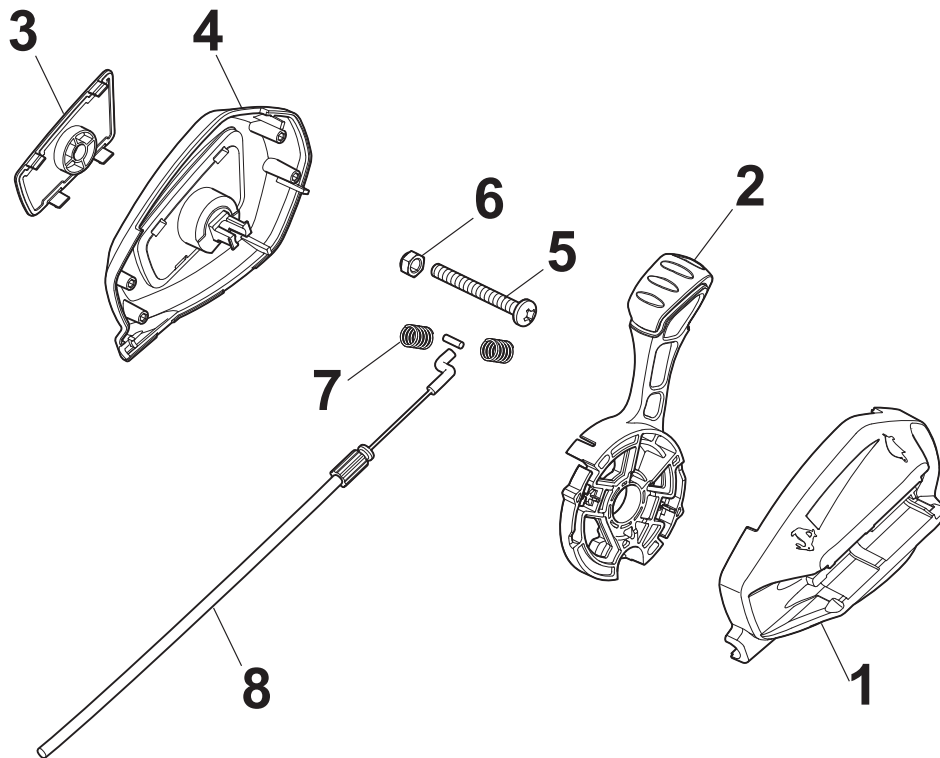
| Fig. | Q.ty | Part No | Description | Notes |
|------|------|-------------|----------------------------|---|
| 1 | 1 | 381007559/0 | Handle, Upper Part | Black |
| 2 | 1 | 122430313/0 | Guide Spring | |
| 3 | 1 | 112521330/0 | Washer | |
| 4 | 1 | 112154510/0 | Nut | |
| 5 | 2 | 322806644/0 | Protection | With Variator |
| 5 | 1 | 322806644/0 | Protection | Without Variator |
| 6 | 4 | 112523000/1 | Washer | With Variator |
| 6 | 2 | 112523000/1 | Washer | Without Variator |
| 7 | 2 | 112727812/0 | Screw | Without Variator |
| 7 | 4 | 112727812/0 | Screw | With Variator |
| 8 | 2 | 322680017/0 | Washer | |
| 9 | 2 | 122131750/0 | Nut | |
| 10 | 2 | 322399835/0 | Knob | |
| 11 | 1 | 381003253/0 | Handle | Black |
| 12 | 1 | 381030108/0 | Clutch Cable | |
| 13 | 1 | 181003437/0 | Lever, Engine Brake Black | |
| 14 | 1 | 181003438/1 | Drive Control Lever | |
| 15 | 1 | 181030088/0 | Cable, Thread Engine Brake | For B&S 500E-550E-625E-675E-675IS Engine |
| 15 | 1 | 181030087/0 | Cable, Thread Engine Brake | For B&S 750-750Es-775IS Engine |
| 15 | 1 | 181030070/0 | Cable, Thread Engine Brake | For Honda-WBE0702-B&S 850-625-675E-675IS Engine |
| 15 | 1 | 181030057/0 | Cable, Thread Engine Brake | For B&S 675-675Es Engine - MP1 554 |
| 15 | 1 | 181030054/0 | Cable, Thread Engine Brake | For WBE 140 Engine |
| 15 | 1 | 181030053/0 | Cable, Thread Engine Brake | For B&S 675-675Es Engine - MP1 504 |
| 16 | 1 | 112727784/0 | Screw | |
| 17 | 1 | 322551639/0 | Fixed Plate | |
| 18 | 1 | 112154510/0 | Nut | |



| Fig. | Q.ty | Part No | Description | Notes |
|------|------|-------------|----------------------------|---|
| 14 | 1 | 181003438/1 | Drive Control Lever | |
| 1 | 1 | 381007559/0 | Handle, Upper Part | Black |
| 2 | 1 | 122430313/0 | Guide Spring | |
| 3 | 1 | 112521330/0 | Washer | |
| 4 | 1 | 112154510/0 | Nut | |
| 5 | 1 | 322806644/0 | Protection | Without Variator |
| 5 | 2 | 322806644/0 | Protection | With Variator |
| 6 | 2 | 112523000/1 | Washer | Without Variator |
| 6 | 4 | 112523000/1 | Washer | With Variator |
| 7 | 2 | 112727812/0 | Screw | Without Variator |
| 7 | 4 | 112727812/0 | Screw | With Variator |
| 8 | 2 | 322680017/0 | Washer | |
| 9 | 2 | 122131750/0 | Nut | |
| 10 | 2 | 322399835/0 | Knob | |
| 11 | 1 | 381003253/0 | Handle | Black |
| 12 | 1 | 381030108/0 | Clutch Cable | |
| 13 | 1 | 181003437/0 | Lever, Engine Brake Black | |
| 15 | 1 | 181030088/0 | Cable, Thread Engine Brake | For B&S 500E-550E-625E-675E-675IS Engine |
| 15 | 1 | 181030053/0 | Cable, Thread Engine Brake | For B&S 675-675Es Engine - MP1 504 |
| 15 | 1 | 181030054/0 | Cable, Thread Engine Brake | For WBE 140 Engine |
| 15 | 1 | 181030057/0 | Cable, Thread Engine Brake | For B&S 675-675Es Engine - MP1 554 |
| 15 | 1 | 181030070/0 | Cable, Thread Engine Brake | For Honda-WBE0702-B&S 850-625-675E-675IS Engine |
| 15 | 1 | 181030087/0 | Cable, Thread Engine Brake | For B&S 750-750Es-775IS Engine |
| 16 | 1 | 112727786/0 | Screw | |
| 17 | 1 | 112154510/0 | Nut | |
| 18 | 1 | 181005540/0 | Throttle Cable | |



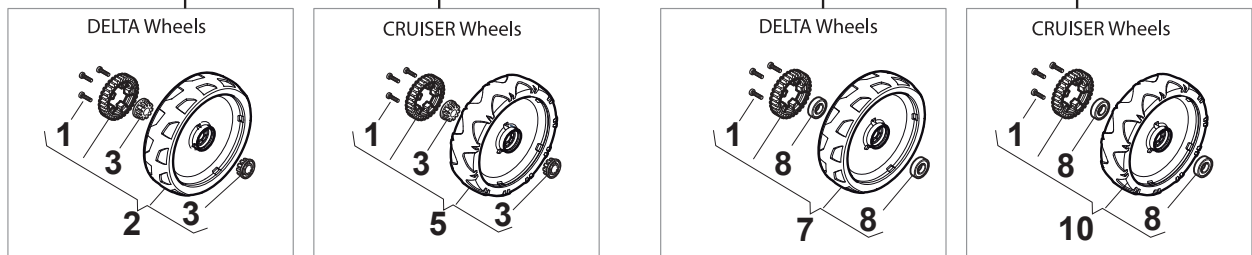
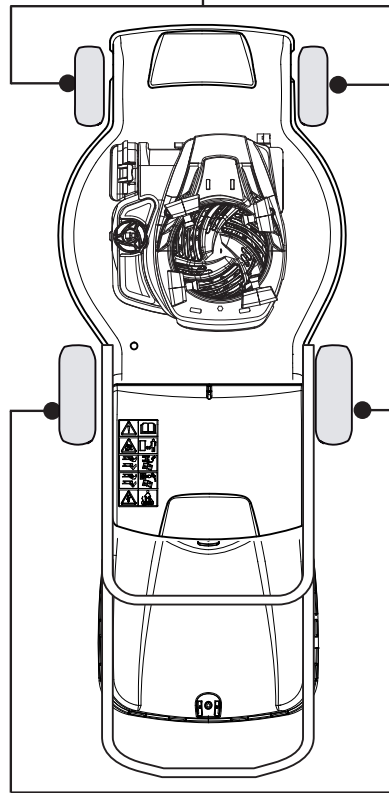
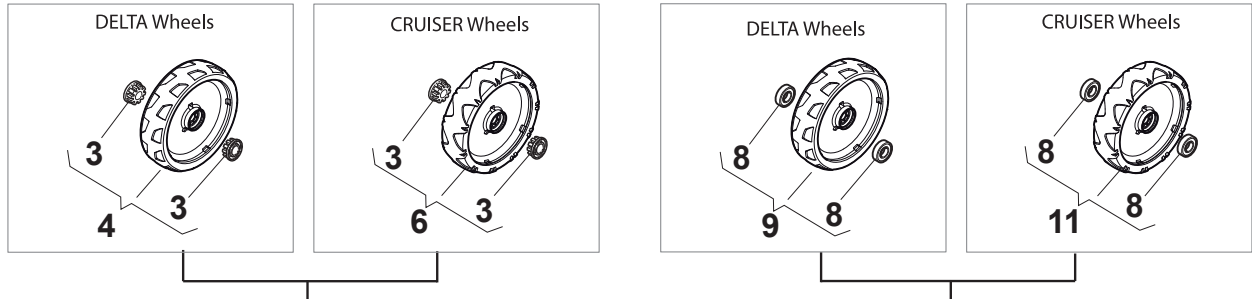
| Fig. | Q.ty | Part No | Description | Notes |
|------|------|-------------|--------------------|------------------|
| 1 | 1 | 112728300/0 | Screw | with Variator |
| 1 | 1 | 112728702/0 | Screw | without Variator |
| 2 | 1 | 133320022/0 | Fastpoint Clamp | |
| 3 | 1 | 322076570/1 | Battery Safety Key | |
| 4 | 1 | 381600401/0 | Switch | For B&S 675 IS |
| 4 | 1 | 381600400/0 | Switch | For B&S 775 IS |
| 5 | 1 | 118120061/0 | Battery | |
| 6 | 1 | 118204136/0 | Battery Charger | CE plugg |
| 6 | 1 | 118204137/0 | Battery Charger | UK plugg |



| Fig. | Q.ty | Part No | Description | Notes |
|------|------|-------------|---------------------|------------------|
| 1 | 1 | 322722817/0 | External Protection | |
| 2 | 1 | 381007227/0 | Variator Lever Assy | |
| 3 | 1 | 322820086/0 | Cap | |
| 4 | 1 | 322722816/0 | Internal Protection | for ERGO Handles |
| 4 | 1 | 322722818/0 | Internal Protection | for PRO Handles |
| 5 | 1 | 112727788/0 | Screw | |
| 6 | 1 | 112154510/0 | Nut | |
| 7 | 2 | 122450487/0 | Spring | |
| 8 | 1 | 381030117/0 | Variator Cable | |

Bushing - Ø180

Ball Bearing - Ø180

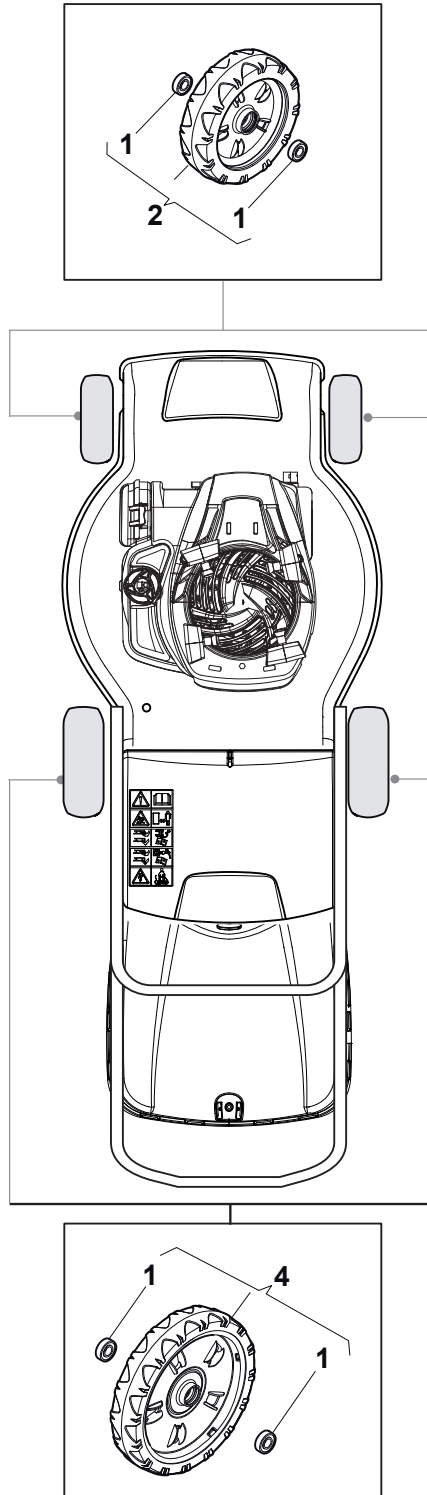


Bushing - Ø240

Ball Bearing - Ø240

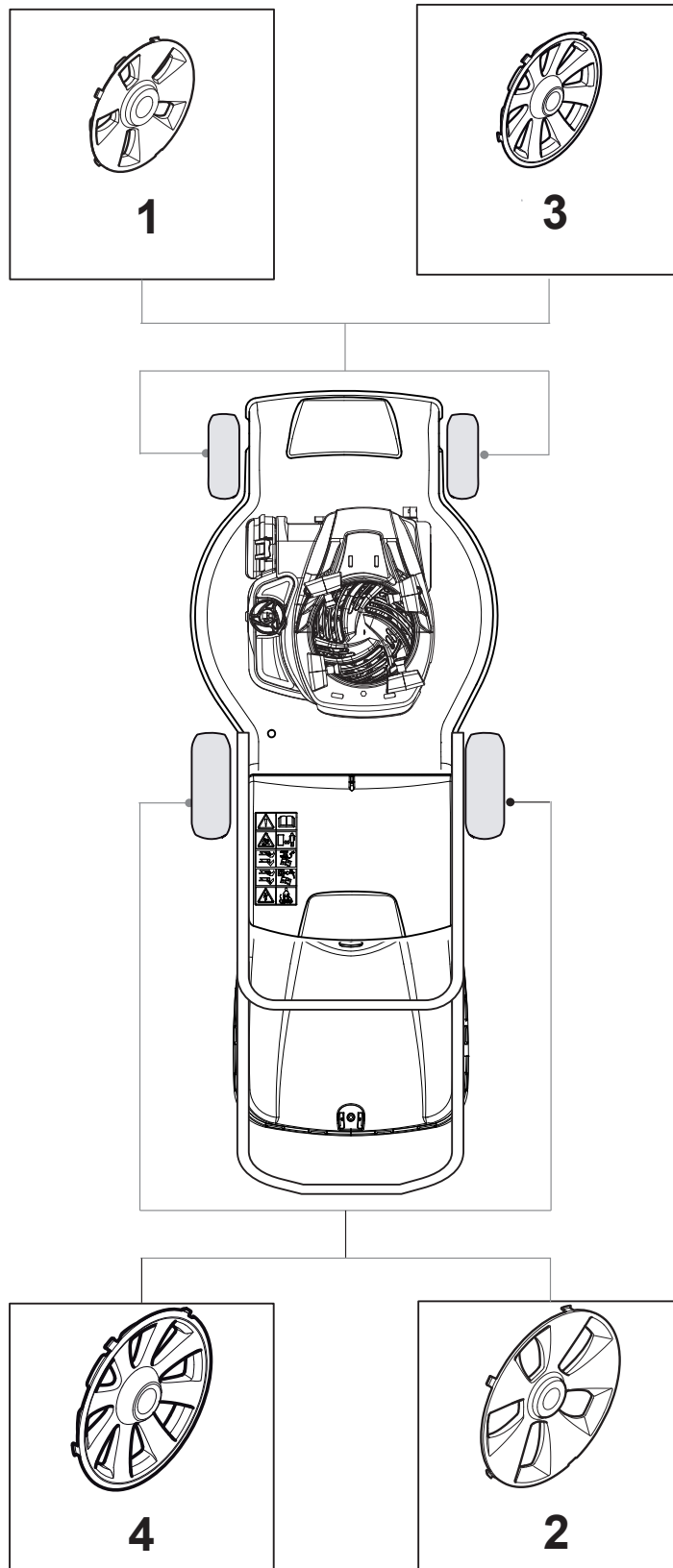
| Fig. | Q.ty | Part No | Description | Notes |
|------|------|-------------|-------------|-------|
| 1 | 6 | 112728706/0 | Screw | |
| 2 | 2 | 381007462/1 | Wheel | |
| 3 | 8 | 322042064/0 | Bushing | |
| 4 | 2 | 381007442/1 | Wheel | |
| 5 | 2 | 381007466/1 | Wheel | |
| 6 | 2 | 381007445/1 | Wheel | |
| 7 | 2 | 381007463/1 | Wheel | |
| 8 | 8 | 119216035/0 | Bearing | |
| 9 | 2 | 381007448/1 | Wheel | |
| 10 | 2 | 381007467/1 | Wheel | |
| 11 | 2 | 381007455/1 | Wheel | |

Ball Bearing Ø200 - Wheels NTD

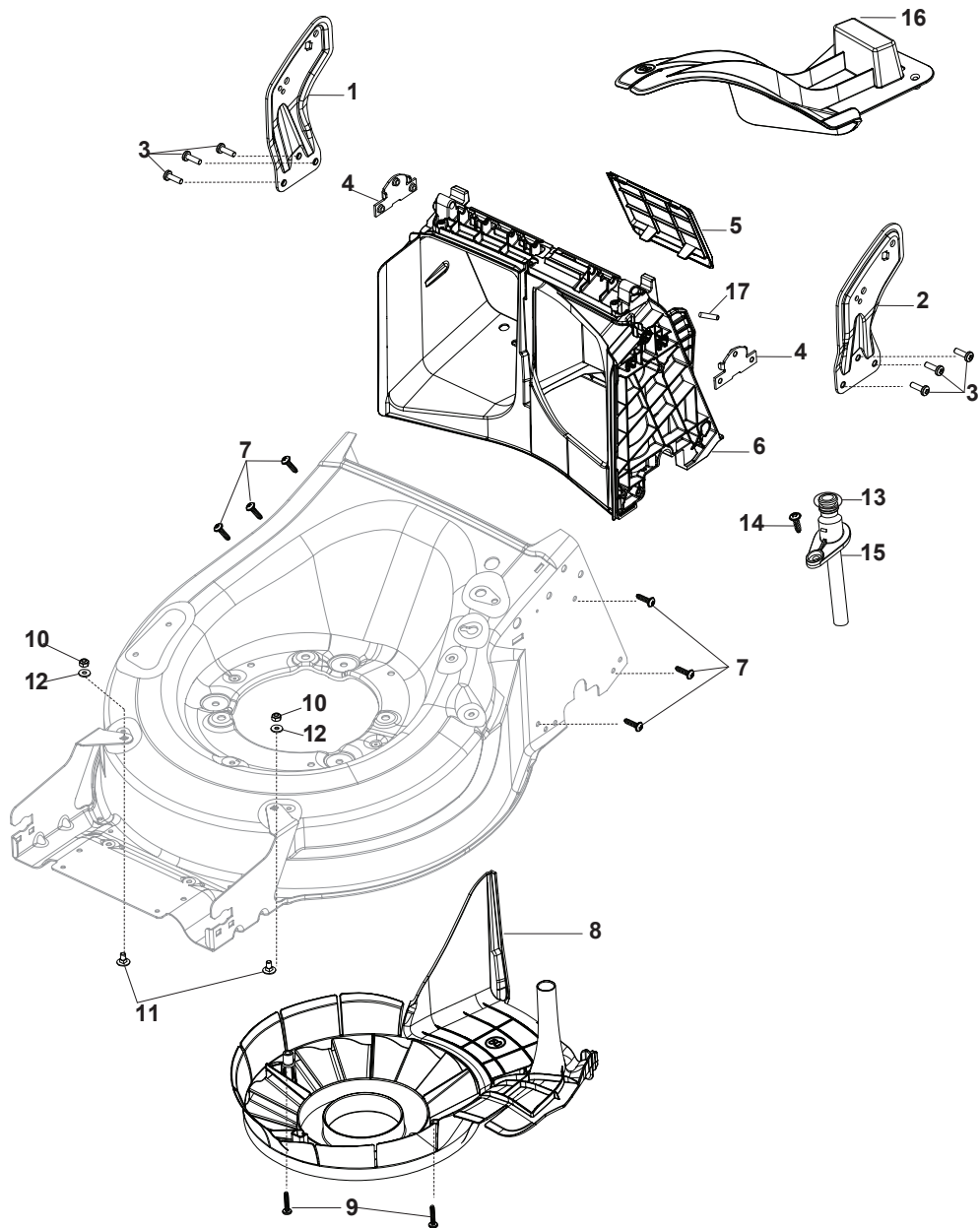


Ball Bearing Ø280 - Wheels NTD

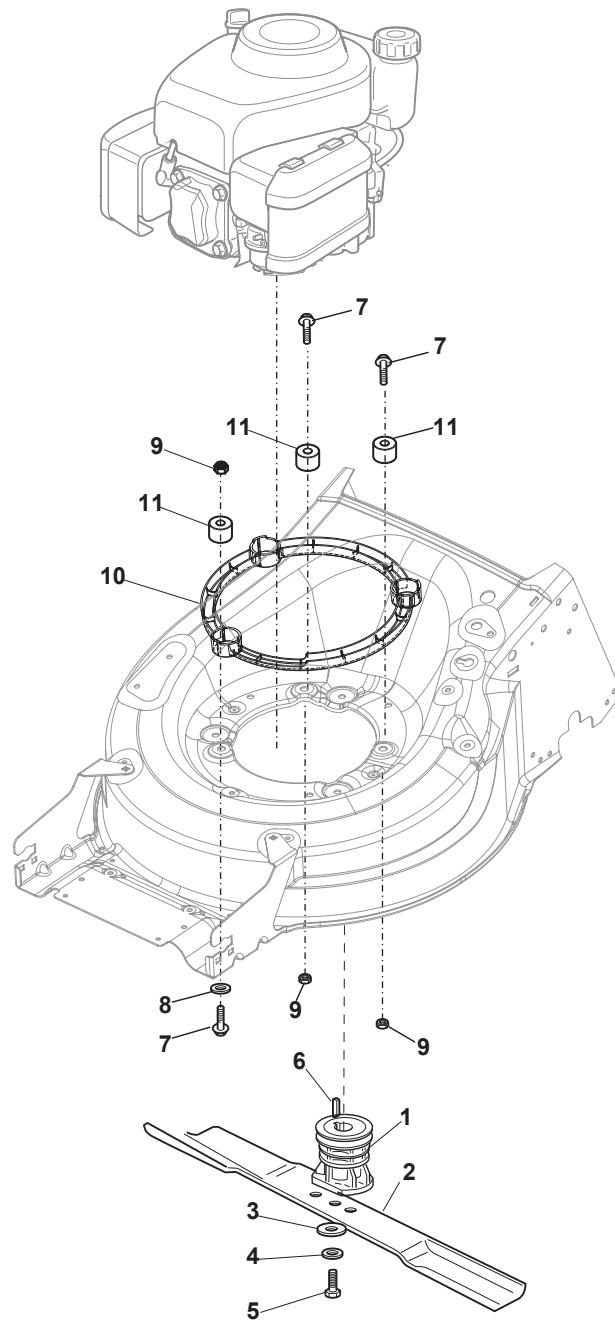
| Fig. | Q.ty | Part No | Description | Notes |
|------|------|-------------|-------------|-------|
| 1 | 8 | 119216035/0 | Bearing | |
| 2 | 4 | 381007416/2 | Wheel | |
| 4 | 2 | 381007417/2 | Wheel | |



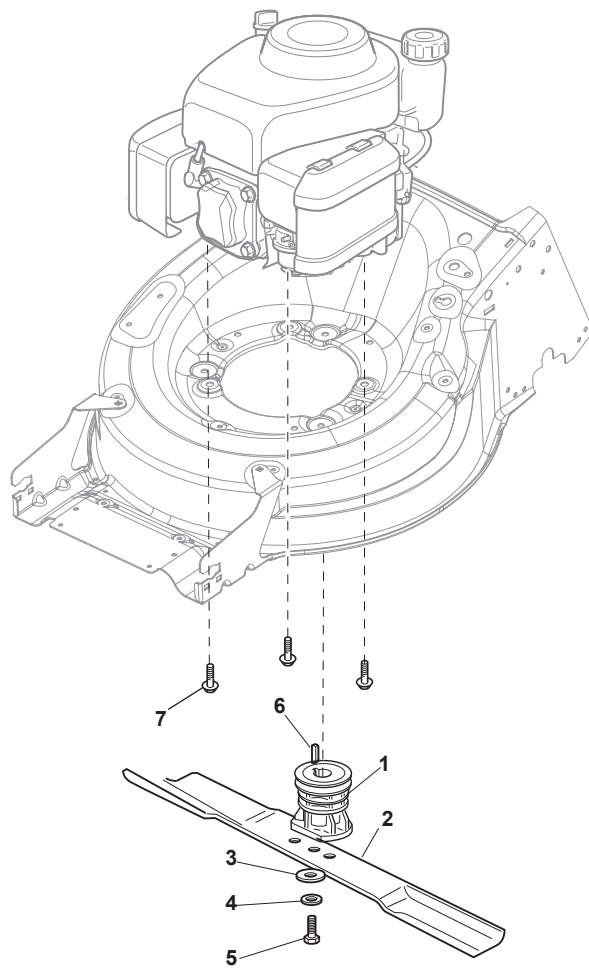
| Fig. | Q.ty | Part No | Description | Notes |
|------|------|-------------|--------------|-------|
| 1 | 2 | 322110643/0 | Hub Cap Grey | Grey |
| 2 | 2 | 322110644/0 | Hub Cap Grey | Grey |
| 3 | 2 | 322110645/0 | Hub Cap Grey | Grey |
| 4 | 2 | 322110646/0 | Hub Cap Grey | Grey |



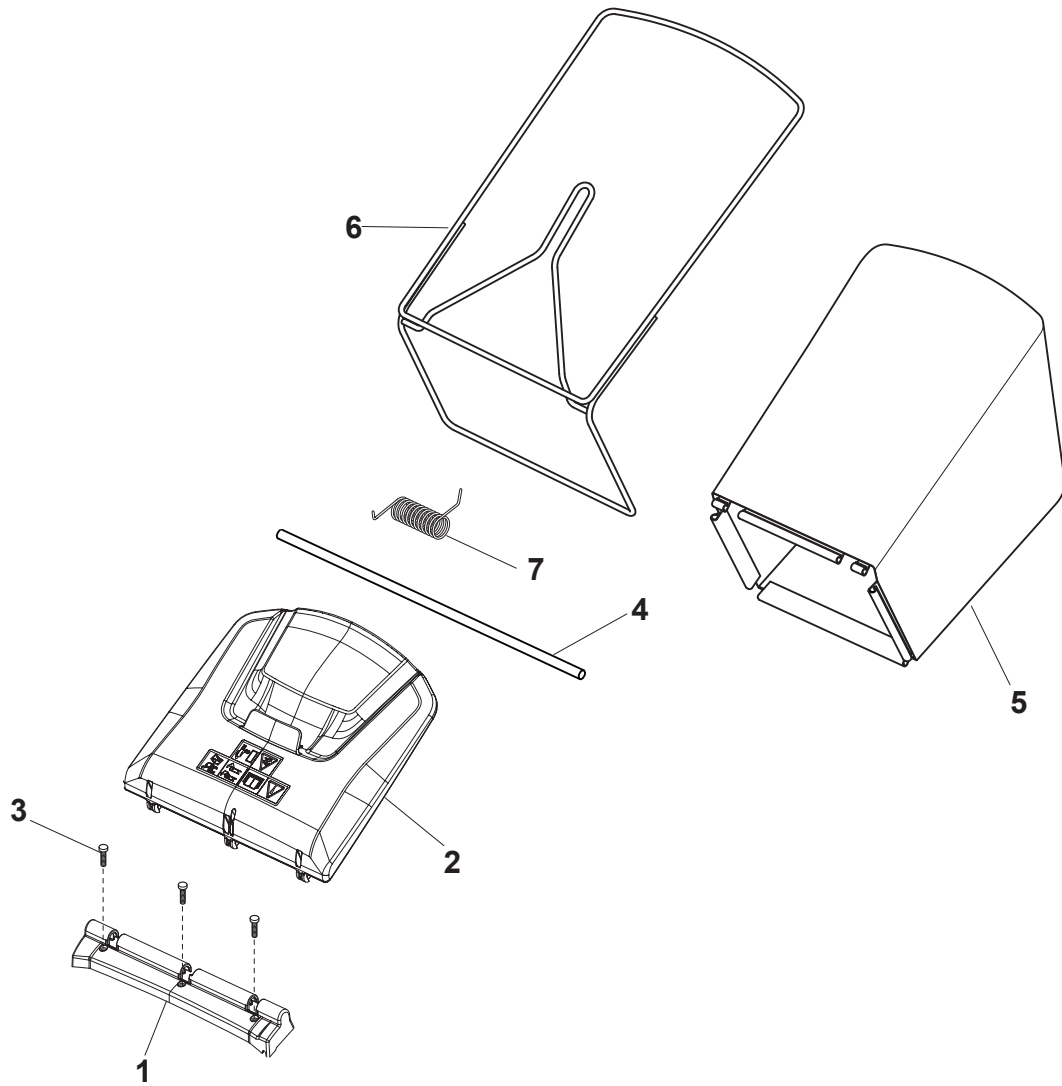
| Fig. | Q.ty | Part No | Description | Notes |
|------|------|-------------|--------------------|---------------------|
| 1 | 1 | 381005195/0 | Bracket-Rh | |
| 2 | 1 | 381005197/0 | Bracket-Lh | |
| 3 | 6 | 112727801/0 | Screw | |
| 4 | 2 | 322545213/0 | Plate | |
| 5 | 1 | 322600310/0 | Rear door | Not for TR/E models |
| 6 | 1 | 322108316/0 | Conveyor | |
| 7 | 6 | 112728699/0 | Screw | |
| 8 | 1 | 322060271/1 | Carter Mulching | |
| 9 | 2 | 112728531/1 | Screw | |
| 10 | 2 | 112154510/0 | Nut | |
| 11 | 2 | 112815200/0 | Screw | |
| 12 | 2 | 112521330/0 | Washer | |
| 13 | 1 | 119035000/0 | Or Ring | |
| 14 | 1 | 112728697/0 | Screw | |
| 15 | 1 | 322034002/0 | Washing Connection | |
| 16 | 1 | 322140246/0 | Deflector | |
| 17 | 1 | 112645708/0 | Pin | |



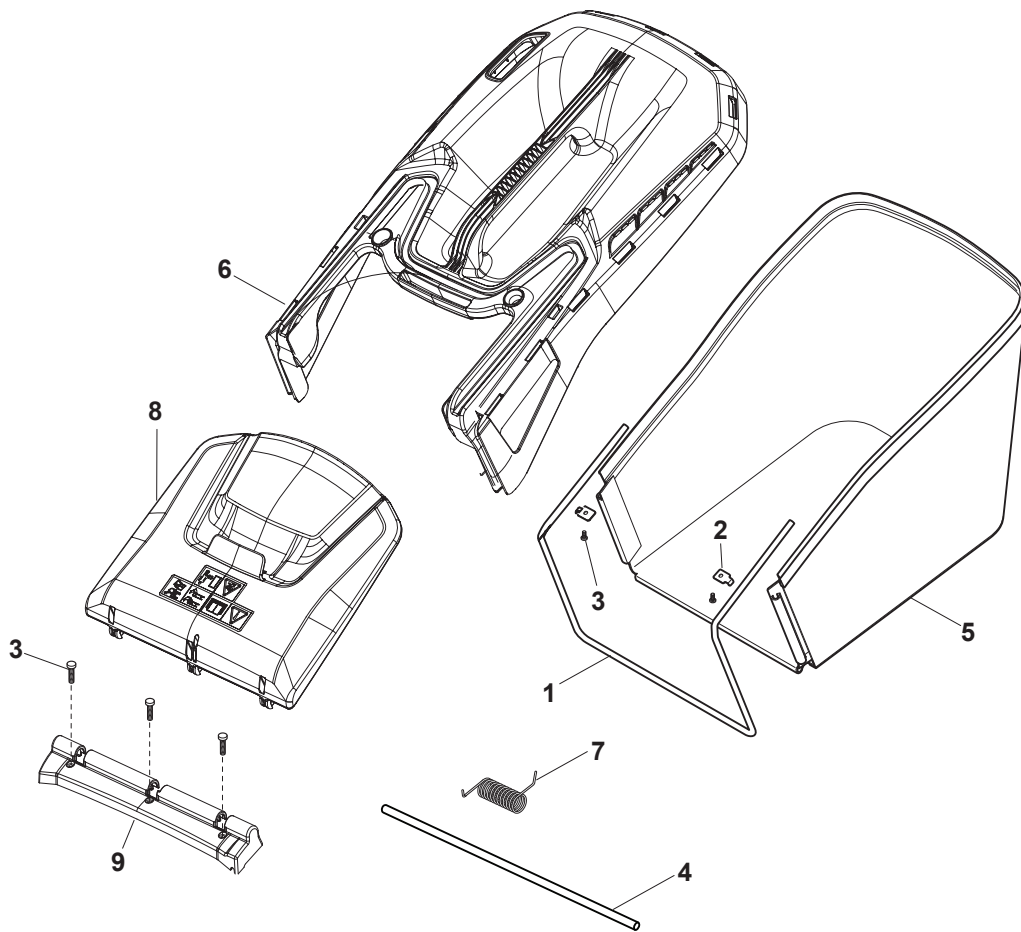
| Fig. | Q.ty | Part No | Description | Notes |
|------|------|-------------|------------------------------------|---------------------------------------|
| 1 | 1 | 122465638/1 | Hub With Pulley, Crankshaft Ø 22.2 | for B&S 675E -750-850 Engines |
| 1 | 1 | 122465607/3 | Hub With Pulley, Crankshaft Ø 22.2 | for GGP and B&S Engines |
| 2 | 1 | 181004409/0 | Mulching Blade | |
| 3 | 1 | 112508125/0 | Elastic Washer | |
| 4 | 1 | 112523080/0 | Washer | |
| 5 | 1 | 112735698/0 | Screw | |
| 6 | 1 | 112139100/0 | Key, Crankshaft Ø 22 | |
| 7 | 2 | 112691700/0 | Screw | for B&S 675EX-750EX (MP1 50) and 850E |
| 7 | 3 | 112692050/0 | Screw | for B&S 750EX (MP1 55) |
| 8 | 1 | 112521350/0 | Washer | |
| 9 | 3 | 112154210/0 | Nut | |
| 10 | 1 | 322170964/0 | Protection | |
| 11 | 3 | 122170835/0 | Spacer | |
| 12 | 1 | 112691700/0 | Screw | for B&S 750EX |
| 12 | 1 | 112692050/0 | Screw | for B&S 675EX and 850E |



| Fig. | Q.ty | Part No | Description | Notes |
|------|------|-------------|------------------------------------|------------------------------|
| 7 | 3 | 112735109/2 | Screw | for GGP 100 Engine |
| 1 | 1 | 122465607/3 | Hub With Pulley, Crankshaft Ø 22.2 | for GGP and B&S Engines |
| 1 | 1 | 122465608/2 | Hub With Pulley, Crankshaft Ø 25 | for HONDA Engines |
| 1 | 1 | 122465638/1 | Hub With Pulley, Crankshaft Ø 22.2 | for B&S 675E-750-850 Engines |
| 2 | 1 | 181004409/0 | Mulching Blade | |
| 3 | 1 | 112508125/0 | Elastic Washer | |
| 4 | 1 | 112523080/0 | Washer | |
| 5 | 1 | 112735698/0 | Screw | for GGP-B&S-HONDA Engines |
| 6 | 1 | 112139100/0 | Key, Crankshaft Ø 22 | for GGP and B&S Engines |
| 6 | 1 | 112139150/0 | Key, Crankshaft Ø 25 | for HONDA Engines |
| 7 | 3 | 112735108/1 | Screw | for GGP-B&S-HONDA Engines |
| 5 | 1 | 112736815/0 | Screw | for B&S 675E-750-850 Engines |



| Fig. | Q.ty | Part No | Description | Notes |
|------|------|-------------|---------------------------|--------|
| 1 | 1 | 322109569/0 | Black Stone Guard Support | |
| 2 | 1 | 322600312/0 | Stone Guard, White | White |
| 2 | 1 | 322600308/0 | Stone Guard, Black | Black |
| 2 | 1 | 322600339/0 | Stone Guard, Yellow | Yellow |
| 3 | 3 | 112728697/0 | Screw | |
| 4 | 1 | 122517884/0 | Pin | |
| 5 | 1 | 181102350/0 | Cancas GrassCatcher | |
| 6 | 1 | 181006410/0 | Fabric Box Frame | |
| 7 | 1 | 122450479/0 | Spring | |



| Fig. | Q.ty | Part No | Description | Notes |
|------|------|-------------|---------------------------|--------|
| 1 | 1 | 181006411/0 | Fabric Box Frame | |
| 2 | 2 | 322557177/0 | Plate | |
| 3 | 5 | 112728697/0 | Screw | |
| 4 | 1 | 122517884/0 | Pin | |
| 5 | 1 | 181102349/0 | Cancas GrassCatcher | |
| 6 | 1 | 381486039/0 | Box, Upper Side | |
| 7 | 1 | 122450479/0 | Spring | |
| 8 | 1 | 322600312/0 | Stone Guard, White | White |
| 8 | 1 | 322600308/0 | Stone Guard, Black | Black |
| 8 | 1 | 322600339/0 | Stone Guard, Yellow | Yellow |
| 9 | 1 | 322109569/0 | Black Stone Guard Support | |

| code | pos. | q.ty | page | | | | | | | | | |
|-------------|------|------|-------|-------------|----|---|-------|-------------|----|---|-------|--|
| 112139100/0 | 6 | 1 | p. 39 | 112728300/0 | 1 | 1 | p. 27 | 122570120/1 | 28 | 1 | p. 3 | |
| 112139100/0 | 6 | 1 | p. 41 | 112728531/1 | 9 | 2 | p. 37 | 122601914/0 | 60 | 1 | p. 3 | |
| 112139150/0 | 6 | 1 | p. 41 | 112728697/0 | 2 | 6 | p. 9 | 122601915/0 | 61 | 1 | p. 3 | |
| 112154210/0 | 9 | 3 | p. 39 | 112728697/0 | 3 | 3 | p. 43 | 122601932/0 | 62 | 1 | p. 5 | |
| 112154210/0 | 45 | 2 | p. 3 | 112728697/0 | 3 | 5 | p. 45 | 122671651/0 | 3 | 2 | p. 11 | |
| 112154510/0 | 4 | 1 | p. 15 | 112728697/0 | 4 | 6 | p. 7 | 122671656/0 | 46 | 1 | p. 3 | |
| 112154510/0 | 4 | 1 | p. 17 | 112728697/0 | 8 | 5 | p. 3 | 122753000/0 | 30 | 2 | p. 3 | |
| 112154510/0 | 4 | 1 | p. 19 | 112728697/0 | 14 | 1 | p. 37 | 125943004/0 | 5 | 1 | p. 3 | |
| 112154510/0 | 4 | 1 | p. 21 | 112728697/0 | 34 | 4 | p. 3 | 133320022/0 | 2 | 1 | p. 27 | |
| 112154510/0 | 4 | 1 | p. 23 | 112728698/0 | 19 | 4 | p. 3 | 135064379/0 | 42 | 1 | p. 3 | |
| 112154510/0 | 4 | 1 | p. 25 | 112728699/0 | 3 | 2 | p. 9 | 181003116/0 | 21 | 1 | p. 3 | |
| 112154510/0 | 6 | 1 | p. 29 | 112728699/0 | 4 | 5 | p. 3 | 181003363/1 | 6 | 1 | p. 15 | |
| 112154510/0 | 9 | 1 | p. 15 | 112728699/0 | 5 | 2 | p. 7 | 181003363/1 | 6 | 1 | p. 17 | |
| 112154510/0 | 9 | 1 | p. 17 | 112728699/0 | 7 | 6 | p. 37 | 181003363/1 | 6 | 1 | p. 19 | |
| 112154510/0 | 9 | 1 | p. 19 | 112728702/0 | 1 | 1 | p. 27 | 181003363/1 | 6 | 1 | p. 21 | |
| 112154510/0 | 9 | 1 | p. 21 | 112728704/1 | 43 | 5 | p. 3 | 181003364/0 | 10 | 1 | p. 15 | |
| 112154510/0 | 10 | 2 | p. 37 | 112728706/0 | 1 | 6 | p. 31 | 181003364/0 | 10 | 1 | p. 17 | |
| 112154510/0 | 11 | 1 | p. 3 | 112735108/1 | 7 | 3 | p. 41 | 181003364/0 | 10 | 1 | p. 19 | |
| 112154510/0 | 17 | 1 | p. 25 | 112735109/2 | 7 | 3 | p. 41 | 181003364/0 | 10 | 1 | p. 21 | |
| 112154510/0 | 18 | 1 | p. 23 | 112735120/0 | 51 | 2 | p. 3 | 181003437/0 | 13 | 1 | p. 23 | |
| 112155000/0 | 8 | 2 | p. 11 | 112735698/0 | 5 | 1 | p. 39 | 181003437/0 | 13 | 1 | p. 25 | |
| 112293200/0 | 5 | 2 | p. 11 | 112735698/0 | 5 | 1 | p. 41 | 181003438/1 | 14 | 1 | p. 23 | |
| 112369500/0 | 10 | 2 | p. 11 | 112736815/0 | 5 | 1 | p. 41 | 181003438/1 | 14 | 1 | p. 25 | |
| 112436051/0 | 35 | 2 | p. 3 | 112760605/0 | 11 | 2 | p. 11 | 181004409/0 | 2 | 1 | p. 39 | |
| 112508125/0 | 3 | 1 | p. 39 | 112792611/0 | 47 | 2 | p. 3 | 181004409/0 | 2 | 1 | p. 41 | |
| 112508125/0 | 3 | 1 | p. 41 | 112815200/0 | 11 | 2 | p. 37 | 181005537/0 | 12 | 1 | p. 15 | |
| 112521330/0 | 3 | 1 | p. 15 | 112815270/0 | 16 | 1 | p. 3 | 181005537/0 | 12 | 1 | p. 21 | |
| 112521330/0 | 3 | 1 | p. 17 | 112818900/0 | 6 | 2 | p. 11 | 181005539/0 | 12 | 1 | p. 15 | |
| 112521330/0 | 3 | 1 | p. 19 | 112819110/0 | 2 | 2 | p. 11 | 181005539/0 | 12 | 1 | p. 21 | |
| 112521330/0 | 3 | 1 | p. 21 | 118120061/0 | 5 | 1 | p. 27 | 181005540/0 | 18 | 1 | p. 25 | |
| 112521330/0 | 3 | 1 | p. 23 | 118204136/0 | 6 | 1 | p. 27 | 181006410/0 | 6 | 1 | p. 43 | |
| 112521330/0 | 3 | 1 | p. 25 | 118204137/0 | 6 | 1 | p. 27 | 181006411/0 | 1 | 1 | p. 45 | |
| 112521330/0 | 12 | 2 | p. 37 | 118390020/0 | 5 | 1 | p. 15 | 181030053/0 | 7 | 1 | p. 15 | |
| 112521350/0 | 8 | 1 | p. 39 | 118390020/0 | 5 | 1 | p. 17 | 181030053/0 | 7 | 1 | p. 15 | |
| 112521350/0 | 9 | 2 | p. 11 | 118390020/0 | 5 | 1 | p. 19 | 181030053/0 | 7 | 1 | p. 17 | |
| 112521371/0 | 40 | 2 | p. 3 | 118390020/0 | 5 | 1 | p. 21 | 181030053/0 | 7 | 1 | p. 17 | |
| 112523000/1 | 6 | 2 | p. 23 | 119035000/0 | 13 | 1 | p. 37 | 181030053/0 | 15 | 1 | p. 23 | |
| 112523000/1 | 6 | 2 | p. 25 | 119216035/0 | 1 | 8 | p. 33 | 181030053/0 | 15 | 1 | p. 25 | |
| 112523000/1 | 6 | 4 | p. 23 | 119216035/0 | 8 | 8 | p. 31 | 181030054/0 | 7 | 1 | p. 15 | |
| 112523000/1 | 6 | 4 | p. 25 | 119216035/0 | 26 | 2 | p. 3 | 181030054/0 | 7 | 1 | p. 15 | |
| 112523040/0 | 12 | 1 | p. 3 | 122131750/0 | 3 | 4 | p. 13 | 181030054/0 | 7 | 1 | p. 17 | |
| 112523050/0 | 41 | 2 | p. 3 | 122131750/0 | 9 | 2 | p. 23 | 181030054/0 | 7 | 1 | p. 17 | |
| 112523080/0 | 4 | 1 | p. 39 | 122131750/0 | 9 | 2 | p. 25 | 181030054/0 | 15 | 1 | p. 23 | |
| 112523080/0 | 4 | 1 | p. 41 | 122170835/0 | 11 | 3 | p. 39 | 181030054/0 | 15 | 1 | p. 25 | |
| 112608600/0 | 29 | 4 | p. 3 | 122399900/0 | 4 | 2 | p. 11 | 181030057/0 | 7 | 1 | p. 15 | |
| 112645708/0 | 17 | 1 | p. 37 | 122430313/0 | 2 | 1 | p. 15 | 181030057/0 | 7 | 1 | p. 15 | |
| 112674550/0 | 44 | 1 | p. 3 | 122430313/0 | 2 | 1 | p. 17 | 181030057/0 | 7 | 1 | p. 17 | |
| 112689500/0 | 48 | 2 | p. 3 | 122430313/0 | 2 | 1 | p. 19 | 181030057/0 | 7 | 1 | p. 17 | |
| 112691700/0 | 7 | 2 | p. 39 | 122430313/0 | 2 | 1 | p. 21 | 181030057/0 | 7 | 1 | p. 19 | |
| 112691700/0 | 12 | 1 | p. 39 | 122430313/0 | 2 | 1 | p. 23 | 181030057/0 | 7 | 1 | p. 21 | |
| 112692050/0 | 7 | 3 | p. 39 | 122430313/0 | 2 | 1 | p. 25 | 181030057/0 | 15 | 1 | p. 23 | |
| 112692050/0 | 12 | 1 | p. 39 | 122450477/0 | 6 | 1 | p. 3 | 181030057/0 | 15 | 1 | p. 25 | |
| 112727783/0 | 8 | 1 | p. 17 | 122450479/0 | 7 | 1 | p. 43 | 181030070/0 | 7 | 1 | p. 15 | |
| 112727783/0 | 8 | 1 | p. 19 | 122450479/0 | 7 | 1 | p. 45 | 181030070/0 | 7 | 1 | p. 15 | |
| 112727783/0 | 8 | 1 | p. 21 | 122450480/0 | 17 | 1 | p. 3 | 181030070/0 | 7 | 1 | p. 17 | |
| 112727784/0 | 16 | 1 | p. 23 | 122450487/0 | 7 | 2 | p. 29 | 181030070/0 | 7 | 1 | p. 17 | |
| 112727786/0 | 16 | 1 | p. 25 | 122465607/3 | 1 | 1 | p. 39 | 181030070/0 | 15 | 1 | p. 23 | |
| 112727788/0 | 5 | 1 | p. 29 | 122465607/3 | 1 | 1 | p. 41 | 181030070/0 | 15 | 1 | p. 25 | |
| 112727788/0 | 8 | 1 | p. 15 | 122465608/2 | 1 | 1 | p. 41 | 181030087/0 | 7 | 1 | p. 15 | |
| 112727801/0 | 3 | 6 | p. 37 | 122465638/1 | 1 | 1 | p. 39 | 181030087/0 | 7 | 1 | p. 17 | |
| 112727812/0 | 7 | 2 | p. 23 | 122465638/1 | 1 | 1 | p. 41 | 181030087/0 | 7 | 1 | p. 19 | |
| 112727812/0 | 7 | 2 | p. 25 | 122517873/0 | 13 | 1 | p. 3 | 181030087/0 | 7 | 1 | p. 21 | |
| 112727812/0 | 7 | 4 | p. 23 | 122517884/0 | 4 | 1 | p. 43 | 181030087/0 | 15 | 1 | p. 23 | |
| 112727812/0 | 7 | 4 | p. 25 | 122517884/0 | 4 | 1 | p. 45 | 181030087/0 | 15 | 1 | p. 25 | |
| | | | | 122519820/0 | 32 | 2 | p. 3 | 181030088/0 | 7 | 1 | p. 15 | |
| | | | | 122570110/1 | 27 | 1 | p. 3 | 181030088/0 | 7 | 1 | p. 15 | |

| code | pos. | q.ty | page | | | | | | | | | | |
|-------------|------|------|-------|-------------|----|---|-------|-------------|----|---|-------|--|--|
| 181030088/0 | 7 | 1 | p. 17 | 322680017/0 | 8 | 2 | p. 23 | 381007467/1 | 10 | 2 | p. 31 | | |
| 181030088/0 | 7 | 1 | p. 17 | 322680017/0 | 8 | 2 | p. 25 | 381007559/0 | 1 | 1 | p. 23 | | |
| 181030088/0 | 7 | 1 | p. 19 | 322722816/0 | 4 | 1 | p. 29 | 381007559/0 | 1 | 1 | p. 25 | | |
| 181030088/0 | 7 | 1 | p. 21 | 322722817/0 | 1 | 1 | p. 29 | 381007563/0 | 1 | 1 | p. 13 | | |
| 181030088/0 | 15 | 1 | p. 23 | 322722818/0 | 4 | 1 | p. 29 | 381007571/0 | 1 | 1 | p. 15 | | |
| 181030088/0 | 15 | 1 | p. 25 | 322778475/0 | 15 | 1 | p. 3 | 381007571/0 | 1 | 1 | p. 17 | | |
| 181030105/0 | 7 | 1 | p. 15 | 322778477/0 | 20 | 1 | p. 3 | 381007571/0 | 1 | 1 | p. 19 | | |
| 181030105/0 | 7 | 1 | p. 17 | 322785305/1 | 33 | 2 | p. 3 | 381007571/0 | 1 | 1 | p. 21 | | |
| 181030106/0 | 7 | 1 | p. 15 | 322806644/0 | 5 | 1 | p. 23 | 381008730/0 | 12 | 1 | p. 11 | | |
| 181030106/0 | 7 | 1 | p. 15 | 322806644/0 | 5 | 1 | p. 25 | 381030104/0 | 11 | 1 | p. 15 | | |
| 181030106/0 | 7 | 1 | p. 15 | 322806644/0 | 5 | 2 | p. 23 | 381030104/0 | 11 | 1 | p. 17 | | |
| 181030106/0 | 7 | 1 | p. 17 | 322806644/0 | 5 | 2 | p. 25 | 381030104/0 | 11 | 1 | p. 19 | | |
| 181030106/0 | 7 | 1 | p. 17 | 322806647/0 | 25 | 1 | p. 3 | 381030104/0 | 11 | 1 | p. 21 | | |
| 181030106/0 | 7 | 1 | p. 17 | 322806649/0 | 49 | 1 | p. 3 | 381030108/0 | 12 | 1 | p. 23 | | |
| 181030106/0 | 7 | 1 | p. 17 | 322820086/0 | 3 | 1 | p. 29 | 381030108/0 | 12 | 1 | p. 25 | | |
| 181030106/0 | 7 | 1 | p. 19 | 322981471/1 | 7 | 1 | p. 3 | 381030117/0 | 8 | 1 | p. 29 | | |
| 181030106/0 | 7 | 1 | p. 21 | 381002046/0 | 31 | 1 | p. 3 | 381103350/0 | 5 | 2 | p. 13 | | |
| 181102349/0 | 5 | 1 | p. 45 | 381003253/0 | 6 | 2 | p. 13 | 381302883/0 | 23 | 1 | p. 3 | | |
| 181102350/0 | 5 | 1 | p. 43 | 381003253/0 | 11 | 1 | p. 23 | 381302891/0 | 24 | 1 | p. 3 | | |
| 322034002/0 | 15 | 1 | p. 37 | 381003253/0 | 11 | 1 | p. 25 | 381486039/0 | 6 | 1 | p. 45 | | |
| 322042064/0 | 3 | 8 | p. 31 | 381003365/0 | 6 | 1 | p. 15 | 381600400/0 | 4 | 1 | p. 27 | | |
| 322042068/0 | 39 | 2 | p. 3 | 381003365/0 | 6 | 1 | p. 17 | 381600401/0 | 4 | 1 | p. 27 | | |
| 322055264/0 | 1 | 1 | p. 3 | 381003365/0 | 6 | 1 | p. 19 | | | | | | |
| 322055265/0 | 2 | 1 | p. 3 | 381003365/0 | 6 | 1 | p. 21 | | | | | | |
| 322055524/0 | 4 | 1 | p. 9 | 381003366/0 | 10 | 1 | p. 15 | | | | | | |
| 322060271/1 | 8 | 1 | p. 37 | 381003366/0 | 10 | 1 | p. 17 | | | | | | |
| 322076570/1 | 3 | 1 | p. 27 | 381003366/0 | 10 | 1 | p. 19 | | | | | | |
| 322108316/0 | 6 | 1 | p. 37 | 381003366/0 | 10 | 1 | p. 21 | | | | | | |
| 322109569/0 | 1 | 1 | p. 43 | 381003376/0 | 6 | 1 | p. 17 | | | | | | |
| 322109569/0 | 9 | 1 | p. 45 | 381003376/0 | 6 | 1 | p. 19 | | | | | | |
| 322110643/0 | 1 | 2 | p. 35 | 381003475/1 | 14 | 1 | p. 3 | | | | | | |
| 322110644/0 | 2 | 2 | p. 35 | 381004778/0 | 6 | 1 | p. 7 | | | | | | |
| 322110645/0 | 3 | 2 | p. 35 | 381004778/0 | 7 | 1 | p. 9 | | | | | | |
| 322110646/0 | 4 | 2 | p. 35 | 381005195/0 | 1 | 1 | p. 37 | | | | | | |
| 322140246/0 | 16 | 1 | p. 37 | 381005197/0 | 2 | 1 | p. 37 | | | | | | |
| 322170964/0 | 10 | 1 | p. 39 | 381006739/1 | 1 | 1 | p. 15 | | | | | | |
| 322226216/0 | 2 | 1 | p. 7 | 381006739/1 | 1 | 1 | p. 17 | | | | | | |
| 322226217/0 | 5 | 1 | p. 9 | 381006739/1 | 1 | 1 | p. 19 | | | | | | |
| 322393741/0 | 1 | 1 | p. 7 | 381006739/1 | 1 | 1 | p. 21 | | | | | | |
| 322393742/0 | 6 | 1 | p. 9 | 381006745/1 | 1 | 1 | p. 15 | | | | | | |
| 322399835/0 | 2 | 4 | p. 13 | 381006745/1 | 1 | 1 | p. 17 | | | | | | |
| 322399835/0 | 10 | 2 | p. 23 | 381006745/1 | 1 | 1 | p. 19 | | | | | | |
| 322399835/0 | 10 | 2 | p. 25 | 381006745/1 | 1 | 1 | p. 21 | | | | | | |
| 322500112/0 | 3 | 1 | p. 7 | 381006753/0 | 1 | 1 | p. 15 | | | | | | |
| 322500113/0 | 1 | 1 | p. 9 | 381006753/0 | 1 | 1 | p. 17 | | | | | | |
| 322545152/0 | 18 | 2 | p. 3 | 381006753/0 | 1 | 1 | p. 19 | | | | | | |
| 322545213/0 | 4 | 2 | p. 37 | 381006753/0 | 1 | 1 | p. 21 | | | | | | |
| 322551639/0 | 17 | 1 | p. 23 | 381006754/0 | 1 | 1 | p. 15 | | | | | | |
| 322551640/0 | 12 | 1 | p. 17 | 381006754/0 | 1 | 1 | p. 17 | | | | | | |
| 322551640/0 | 12 | 1 | p. 19 | 381006754/0 | 1 | 1 | p. 19 | | | | | | |
| 322557177/0 | 2 | 2 | p. 45 | 381006754/0 | 1 | 1 | p. 21 | | | | | | |
| 322600208/0 | 38 | 2 | p. 3 | 381006785/0 | 1 | 1 | p. 11 | | | | | | |
| 322600145/0 | 37 | 2 | p. 3 | 381006787/0 | 1 | 1 | p. 15 | | | | | | |
| 322600308/0 | 2 | 1 | p. 43 | 381006787/0 | 1 | 1 | p. 17 | | | | | | |
| 322600308/0 | 8 | 1 | p. 45 | 381006787/0 | 1 | 1 | p. 19 | | | | | | |
| 322600310/0 | 5 | 1 | p. 37 | 381006787/0 | 1 | 1 | p. 21 | | | | | | |
| 322600312/0 | 2 | 1 | p. 43 | 381007227/0 | 2 | 1 | p. 29 | | | | | | |
| 322600312/0 | 8 | 1 | p. 45 | 381007416/2 | 2 | 4 | p. 33 | | | | | | |
| 322600339/0 | 2 | 1 | p. 43 | 381007417/2 | 4 | 2 | p. 33 | | | | | | |
| 322600339/0 | 8 | 1 | p. 45 | 381007442/1 | 4 | 2 | p. 31 | | | | | | |
| 322602026/0 | 3 | 1 | p. 3 | 381007445/1 | 6 | 2 | p. 31 | | | | | | |
| 322602027/0 | 9 | 1 | p. 3 | 381007448/1 | 9 | 2 | p. 31 | | | | | | |
| 322602028/0 | 10 | 1 | p. 3 | 381007455/1 | 11 | 2 | p. 31 | | | | | | |
| 322608567/0 | 50 | 1 | p. 3 | 381007462/1 | 2 | 2 | p. 31 | | | | | | |
| 322680016/0 | 4 | 4 | p. 13 | 381007463/1 | 7 | 2 | p. 31 | | | | | | |
| | | | | 381007466/1 | 5 | 2 | p. 31 | | | | | | |