

Parts Catalogue

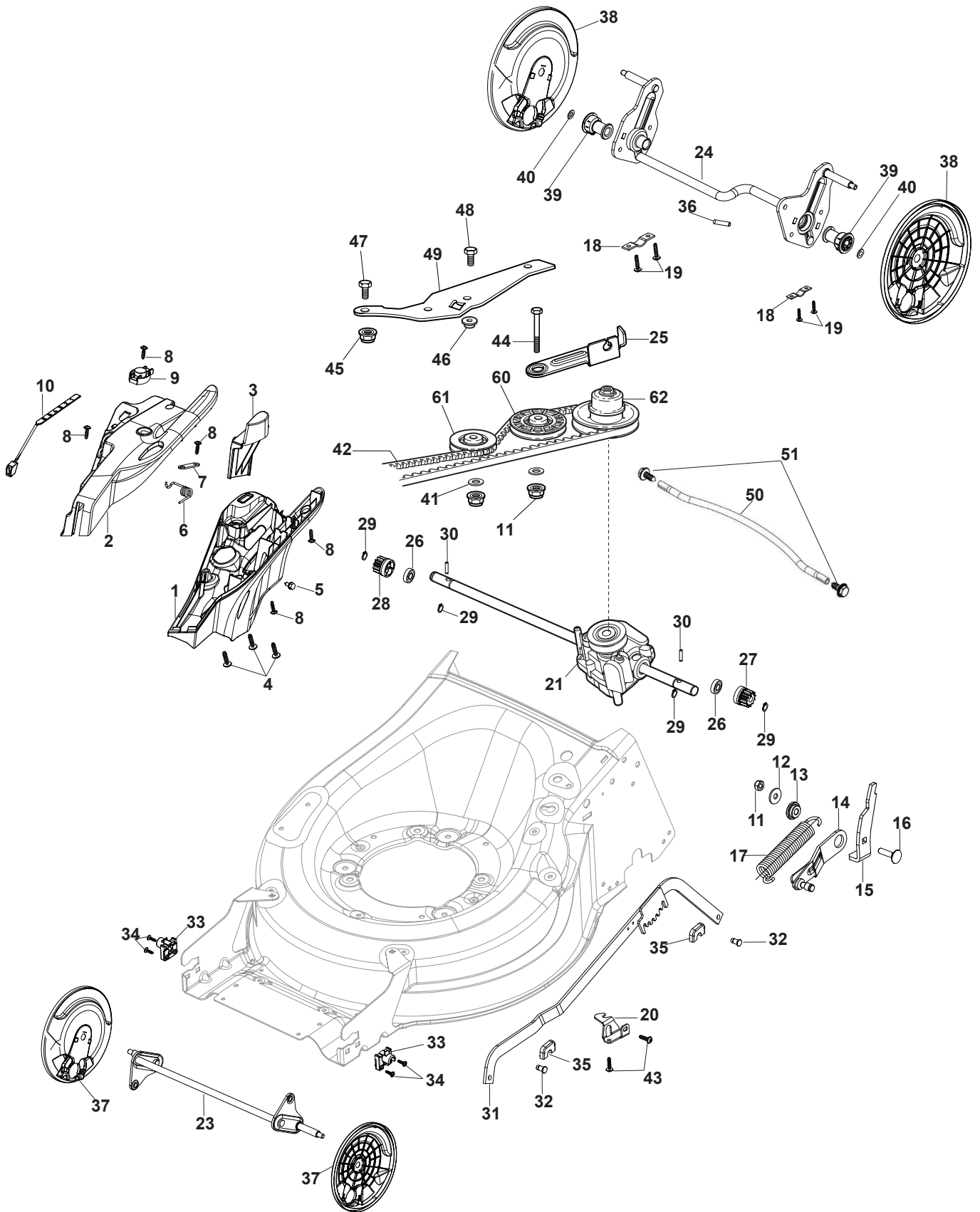
MLMP161B&S-53SP

- Use GLOBAL GARDEN PRODUCT Genuine Spare Parts specified in the parts list for repair and/or replacement.
- The contents described in the parts list may change due to improvement.
- The drawings of the spare parts are only indicative and might not represent the part in question exactly.
- The indications "right" - "left" - "front" - "rear" refer to the position of the operator when using the machine.
- When placing orders of parts for repair and/or replacement, make sure that the illustrated parts list is the one applying to the machine's year of manufacture, as shown on the identification plate attached to the machine.

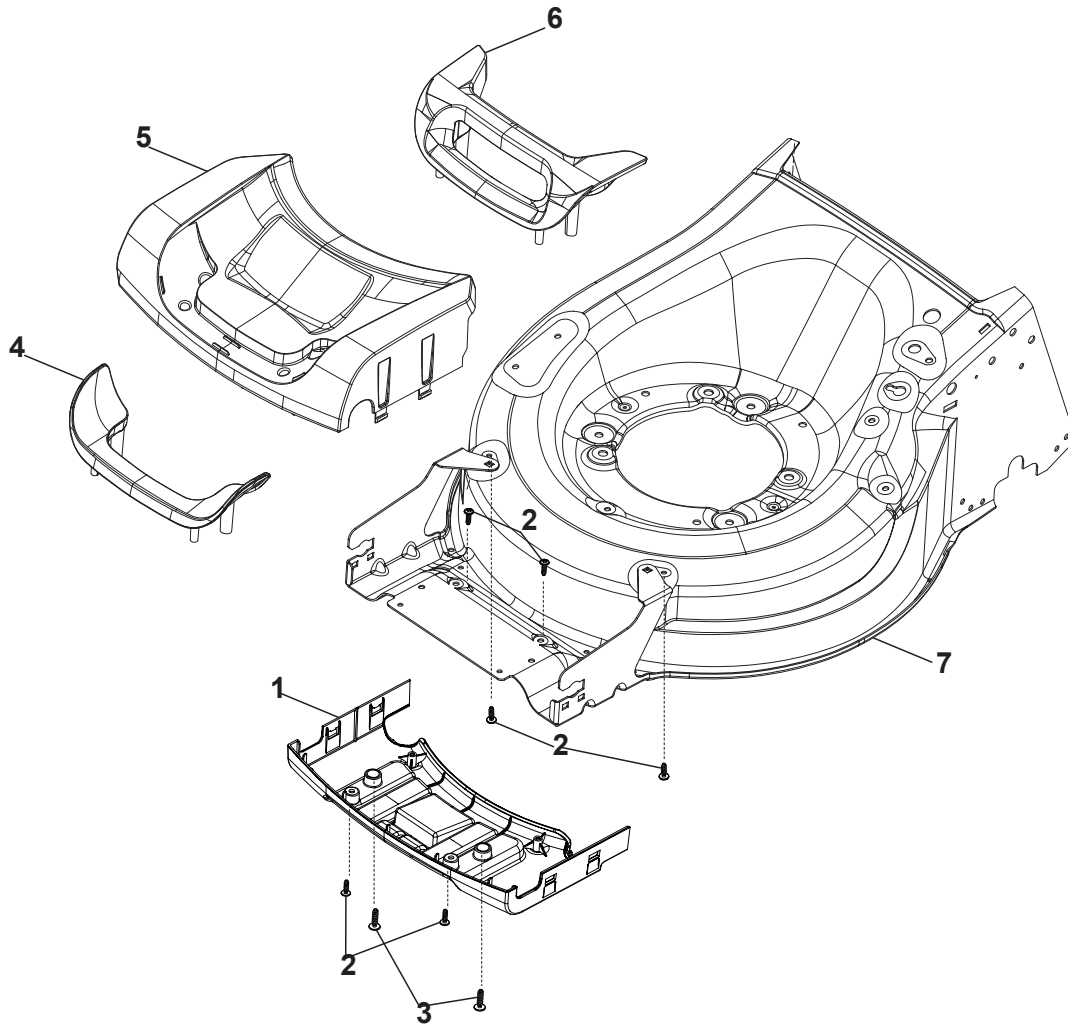
© Copyright 2016 Global Garden Products

All content is subject to copyright by Global Garden Products and may not be reproduced in whole or in part by any means, electronic or otherwise, without prior written approval.

THIS INFORMATION IS NOT INTENDED FOR SALE OR RESALE, AND THIS NOTICE MUST REMAIN ON ALL COPIES.



| Fig. | Q.ty | Part No | Description | Notes |
|------|------|-------------|--------------------------|-------|
| 1 | 1 | 322055262/0 | Lower Cover | |
| 2 | 1 | 322055263/0 | Upper Cover | |
| 3 | 1 | 322602026/0 | Button | |
| 4 | 5 | 112728699/0 | Screw | |
| 5 | 1 | 125943004/0 | Screw | |
| 6 | 1 | 122450477/0 | Spring | |
| 7 | 1 | 322981471/1 | Plate | |
| 8 | 5 | 112728697/0 | Screw | |
| 9 | 1 | 322602027/0 | Lens | |
| 10 | 1 | 322602028/0 | Visualizer | |
| 11 | 1 | 112154510/0 | Nut | |
| 12 | 1 | 112523040/0 | Washer | |
| 13 | 1 | 122517873/0 | Pin | |
| 14 | 1 | 381003475/0 | Lever, Height Adjustment | |
| 15 | 1 | 322778475/0 | Bracket | |
| 16 | 1 | 112815270/0 | Screw | |
| 17 | 1 | 122450480/0 | Spring | |
| 18 | 2 | 322545152/0 | Plate | |
| 19 | 4 | 112728698/0 | Screw | |
| 20 | 1 | 322778477/0 | Bracket | |
| 21 | 1 | 181003116/0 | Gear Box | |
| 23 | 1 | 381302883/0 | Front Wheel Axle | |
| 24 | 1 | 381302891/0 | Rear Wheel Axle | |
| 25 | 1 | 322806647/0 | Bracket | |
| 26 | 2 | 119216035/0 | Bearing | |
| 27 | 1 | 122570110/1 | Pinion Right | |
| 28 | 1 | 122570120/1 | Pinion Left | |
| 29 | 4 | 112608600/0 | Seeger | |
| 30 | 2 | 122753000/0 | Pin | |
| 31 | 1 | 381002046/0 | Wheels Control Rod | |
| 32 | 2 | 122519820/0 | Pin | |
| 33 | 2 | 322785305/1 | Support | |
| 34 | 4 | 112728697/0 | Screw | |
| 35 | 2 | 112436051/0 | Plate | |
| 37 | 2 | 322600145/0 | Protection, Wheel | |
| 38 | 2 | 322600208/0 | Protection, Wheel | |
| 39 | 2 | 322042068/0 | Bushing | |
| 40 | 2 | 112521371/0 | Washer | |
| 41 | 2 | 112523050/0 | Washer | |
| 42 | 1 | 135064379/0 | Belt | |
| 43 | 5 | 112728704/1 | Screw | |
| 44 | 1 | 112674550/0 | Screw | |
| 45 | 2 | 112154210/0 | Nut | |
| 46 | 1 | 122671656/0 | Washer | |
| 47 | 2 | 112792611/0 | Screw | |
| 48 | 2 | 112689500/0 | Screw | |
| 49 | 1 | 322806649/0 | Bracket | |
| 50 | 1 | 322608567/0 | Axle | |
| 51 | 2 | 112735120/0 | Screw | |
| 60 | 1 | 122601914/0 | Pulley | |
| 61 | 1 | 122601915/0 | Pulley | |
| 62 | 1 | 122601932/0 | Pulley | |



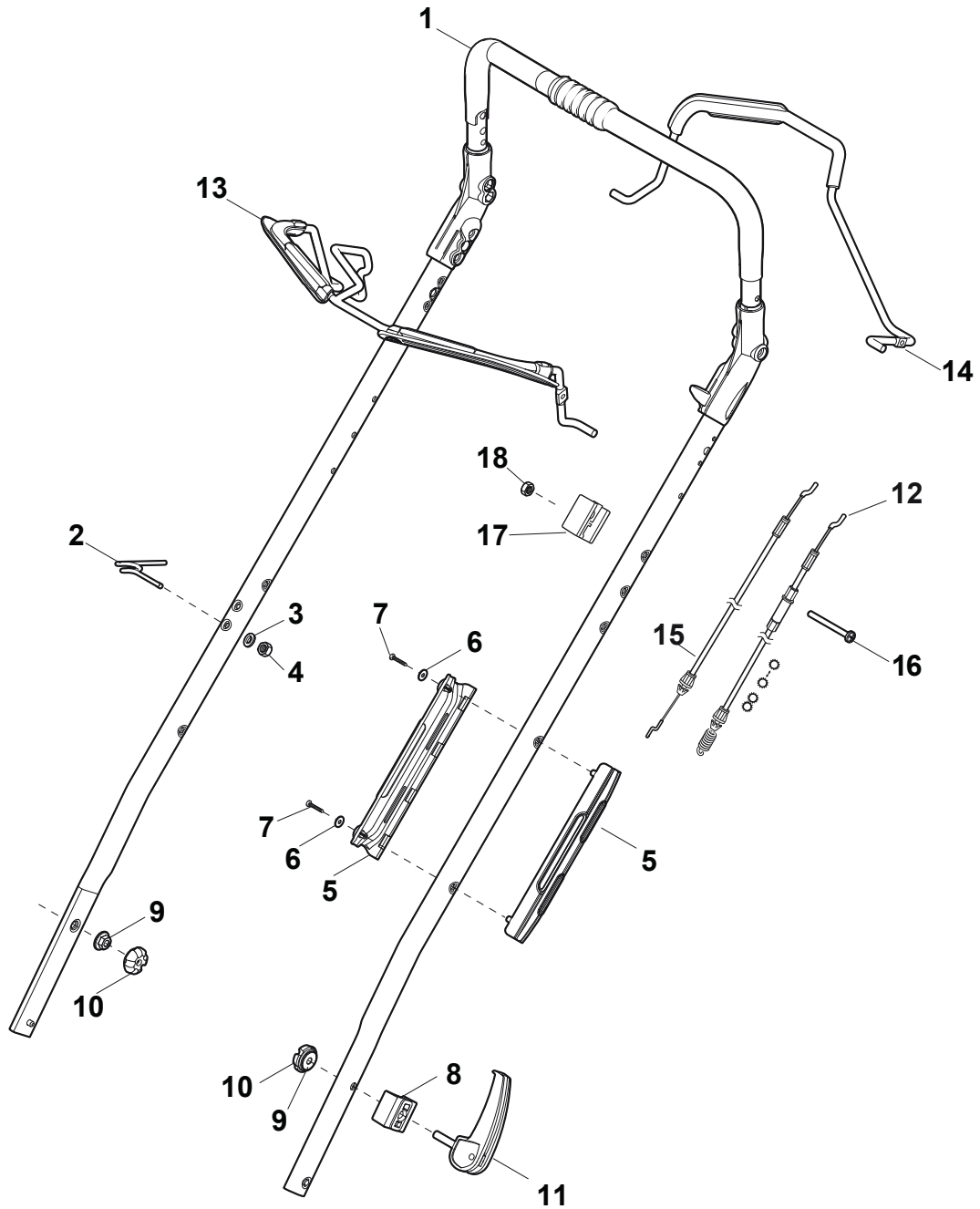
MLMP161B&S-53SP



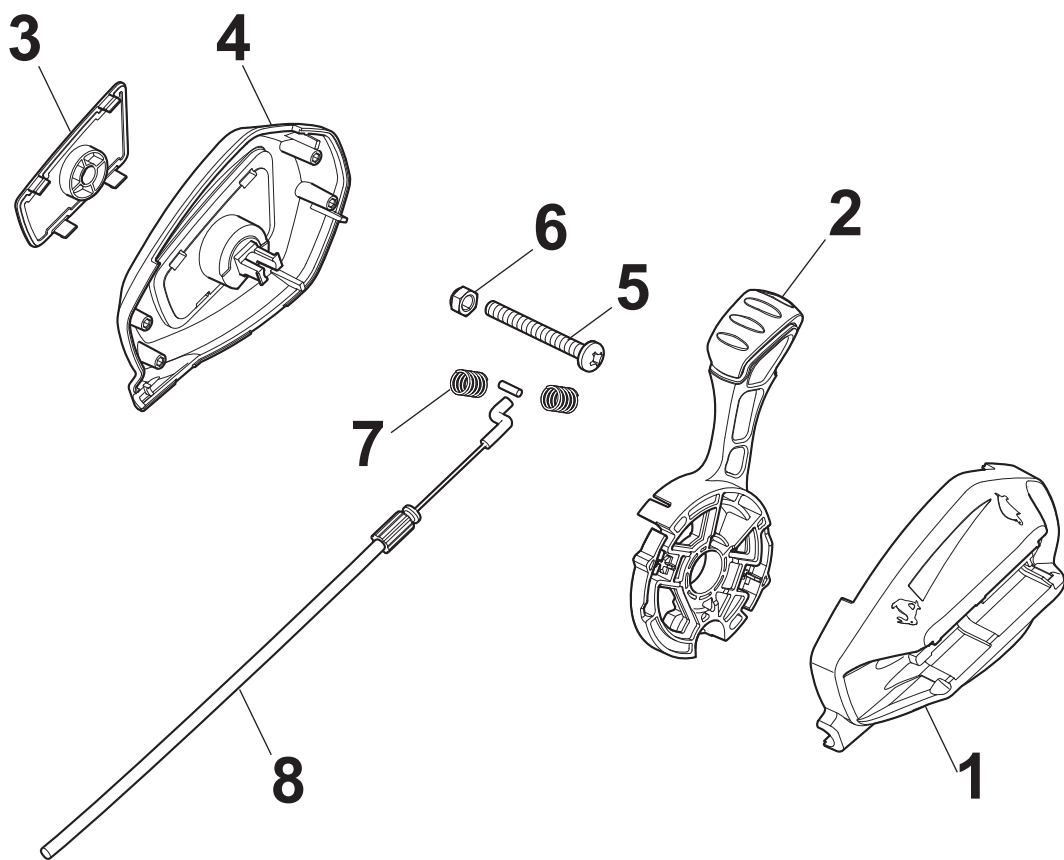
Petrol Lawn Mower Mask

Issue 2 - 2016

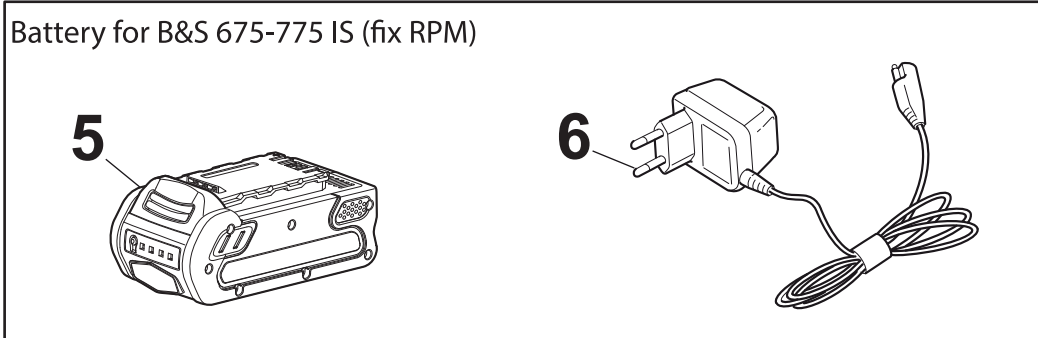
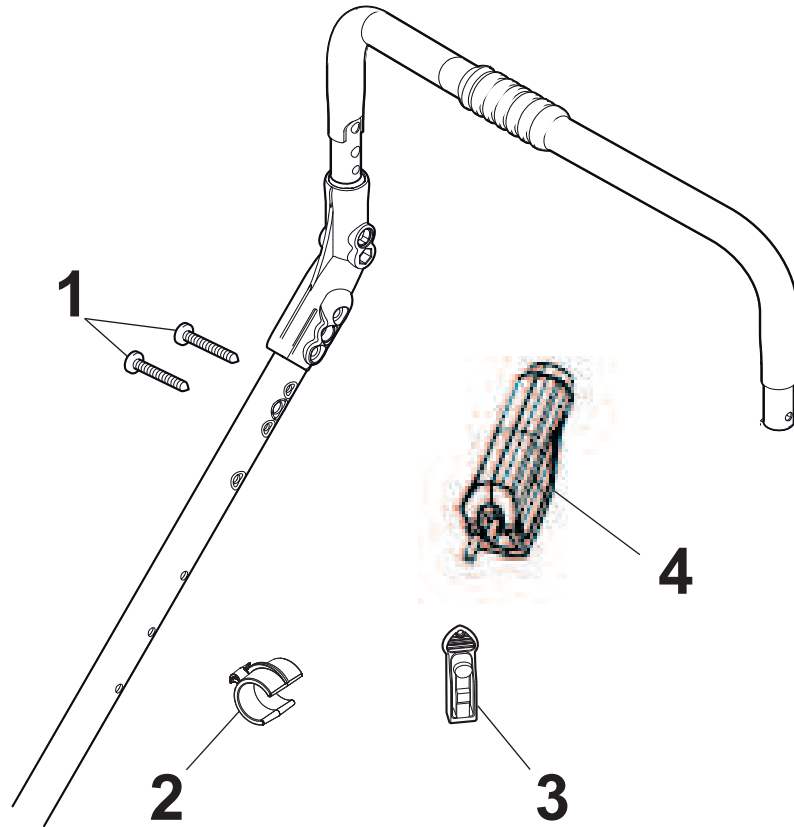
| Fig. | Q.ty | Part No | Description | Notes |
|------|------|-------------|-------------|----------------|
| 1 | 1 | 322500113/0 | Front Combi | |
| 2 | 6 | 112728697/0 | Screw | |
| 3 | 2 | 112728699/0 | Screw | |
| 4 | 1 | 322055524/0 | Insert | |
| 5 | 1 | 322226217/0 | Mask, Red | |
| 6 | 1 | 322393742/0 | Handle | |
| 7 | 1 | 381004779/0 | Red Deck | Side Discharge |



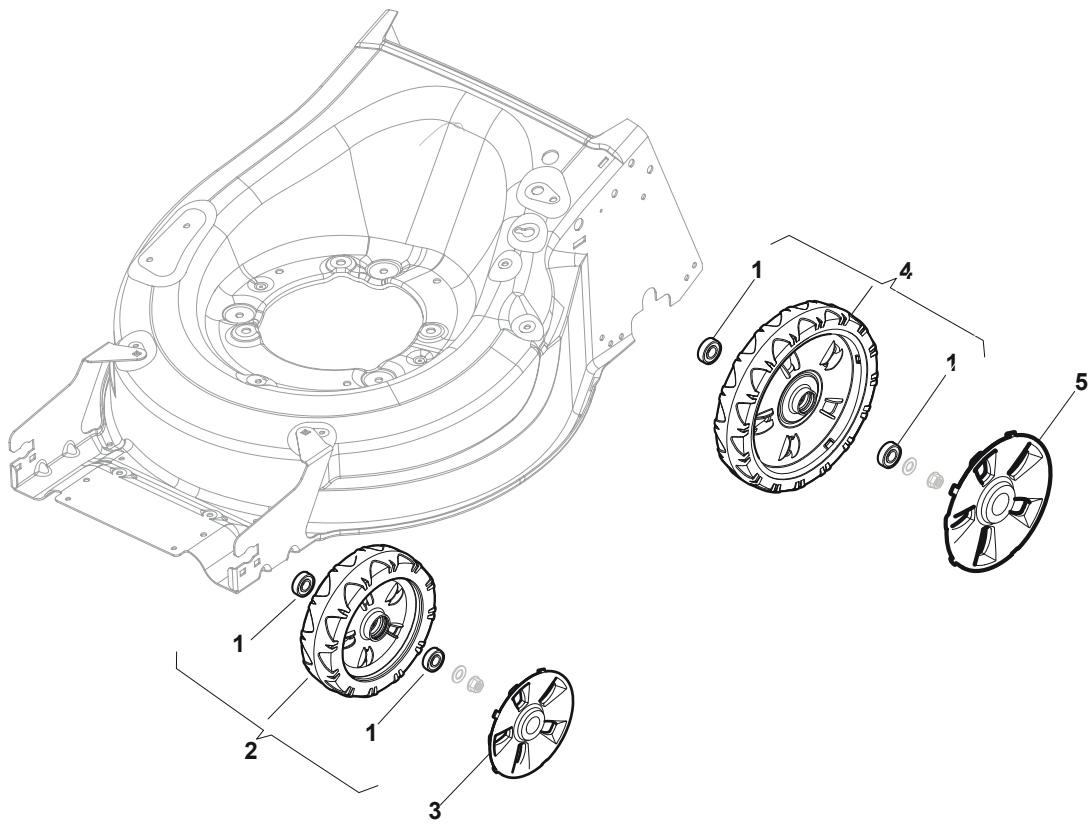
| Fig. | Q.ty | Part No | Description | Notes |
|------|------|-------------|----------------------------|-------|
| 1 | 1 | 381007559/0 | Handle, Upper Part | Black |
| 2 | 1 | 122430313/0 | Guide Spring | |
| 3 | 1 | 112521330/0 | Washer | |
| 4 | 1 | 112154510/0 | Nut | |
| 5 | 2 | 322806644/0 | Protection | |
| 6 | 4 | 112523000/1 | Washer | |
| 7 | 4 | 112727812/0 | Screw | |
| 8 | 2 | 322680017/0 | Washer | |
| 9 | 2 | 122131750/0 | Nut | |
| 10 | 2 | 322399835/0 | Knob | |
| 11 | 1 | 381003253/0 | Handle | Black |
| 12 | 1 | 381030108/0 | Clutch Cable | |
| 13 | 1 | 181003437/0 | Lever, Engine Brake Black | |
| 14 | 1 | 181003438/1 | Drive Control Lever | |
| 15 | 1 | 181030087/0 | Cable, Thread Engine Brake | |
| 16 | 1 | 112727784/0 | Screw | |
| 17 | 1 | 322551639/0 | Fixed Plate | |
| 18 | 1 | 112154510/0 | Nut | |



| Fig. | Q.ty | Part No | Description | Notes |
|------|------|-------------|---------------------|-------|
| 1 | 1 | 322722817/0 | External Protection | |
| 2 | 1 | 381007227/0 | Variator Lever | |
| 3 | 1 | 322820086/0 | Cap | |
| 4 | 1 | 322722818/0 | Internal Protection | |
| 5 | 1 | 112727788/0 | Screw | |
| 6 | 1 | 112154510/0 | Nut | |
| 7 | 2 | 122450487/0 | Spring | |
| 8 | 1 | 381030117/0 | Variator Cable | |



| Fig. | Q.ty | Part No | Description | Notes |
|------|------|-------------|-------------------------------|------------------|
| 1 | 1 | 112728300/0 | Screw | with Varietor |
| 1 | 1 | 112728702/0 | Screw | without Varietor |
| 2 | 1 | 133320022/0 | Fastpoint Clamp Art.0384.Aa01 | |
| 3 | 1 | 322076570/1 | Battery Safety Key | |
| 4 | 1 | 381600400/0 | Switch | |
| 5 | 1 | 118120061/0 | Battery | |
| 6 | 1 | 118204136/0 | Battery Charger | CE plugg |
| 6 | 1 | 118204137/0 | Battery Charger | UK plugg |



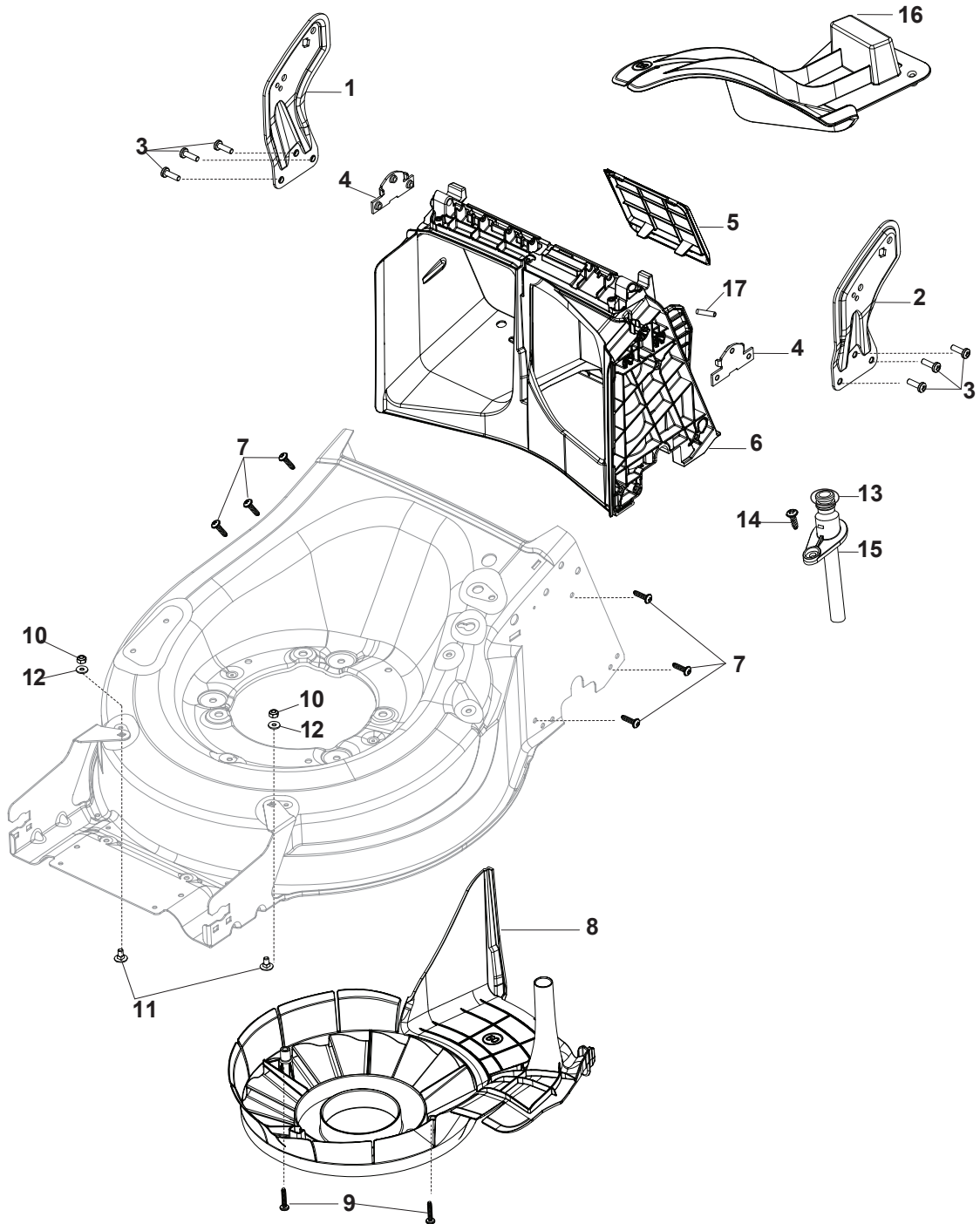
MLMP161B&S-53SP



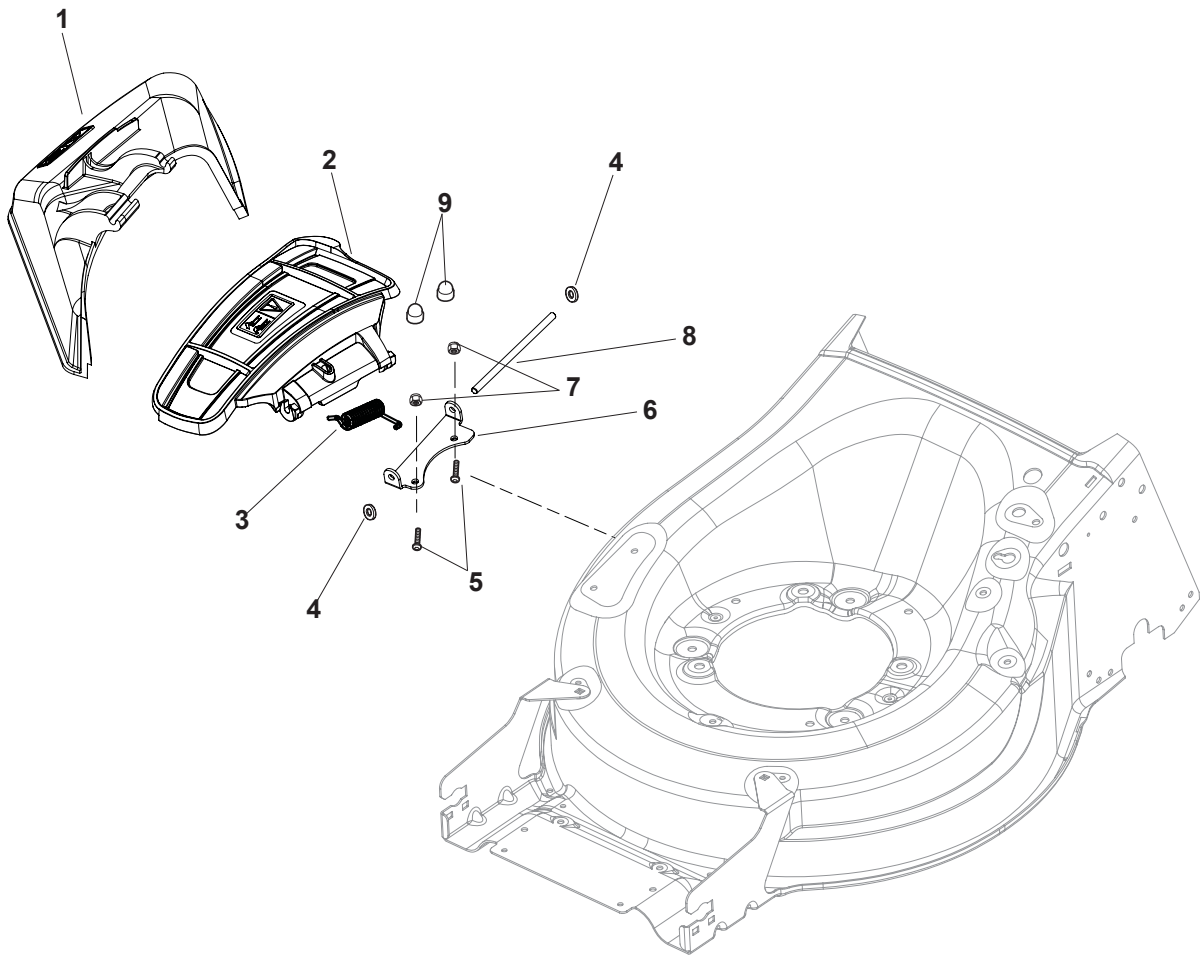
Petrol Lawn Mower Wheels and Hub Caps

Issue 2 - 2016

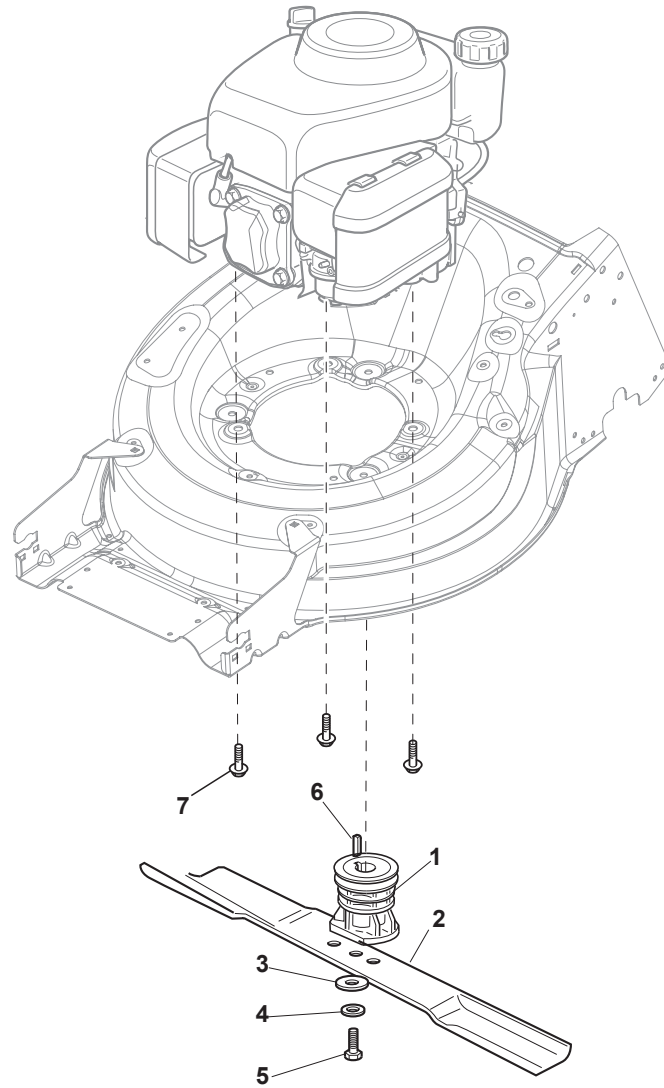
| Fig. | Q.ty | Part No | Description | Notes |
|------|------|-------------|--------------|-------|
| 1 | 8 | 119216035/0 | Bearing | |
| 2 | 4 | 381007416/2 | Wheel | |
| 3 | 2 | 322110643/0 | Hub Cap Grey | Grey |
| 4 | 2 | 381007417/2 | Wheel | |
| 5 | 2 | 322110644/0 | Hub Cap Grey | Grey |



| Fig. | Q.ty | Part No | Description | Notes |
|------|------|-------------|--------------------|---------------------|
| 1 | 1 | 381005195/0 | Bracket-Rh | |
| 2 | 1 | 381005197/0 | Bracket-Lh | |
| 3 | 6 | 112727801/0 | Screw | |
| 4 | 2 | 322545213/0 | Plate | |
| 5 | 1 | 322600310/0 | Rear door | Not for TR/E models |
| 6 | 1 | 322108316/0 | Conveyor | |
| 7 | 6 | 112728699/0 | Screw | |
| 8 | 1 | 322060271/1 | Carter Mulching | |
| 9 | 2 | 112728531/1 | Screw | |
| 10 | 2 | 112154510/0 | Nut | |
| 11 | 2 | 112815200/0 | Screw | |
| 12 | 2 | 112521330/0 | Washer | |
| 13 | 1 | 119035000/0 | Or Ring | |
| 14 | 1 | 112728697/0 | Screw | |
| 15 | 1 | 322034002/0 | Washing Connection | |
| 16 | 1 | 322140246/0 | Deflector | |
| 17 | 1 | 112645708/0 | Pin | |



| Fig. | Q.ty | Part No | Description | Notes |
|------|------|-------------|--------------------|-------|
| 1 | 1 | 322108315/0 | Conveyor | |
| 2 | 1 | 322600309/0 | Stone Guard, Black | |
| 3 | 1 | 122450456/0 | Spring | |
| 4 | 2 | 112604896/0 | Crown Fastener | |
| 5 | 2 | 112727803/0 | Screw | |
| 6 | 1 | 322806639/0 | Fulcrum Pin | |
| 7 | 2 | 112154510/0 | Nut | |
| 8 | 1 | 122517869/1 | Pin | |
| 9 | 2 | 118203853/0 | Cap | |



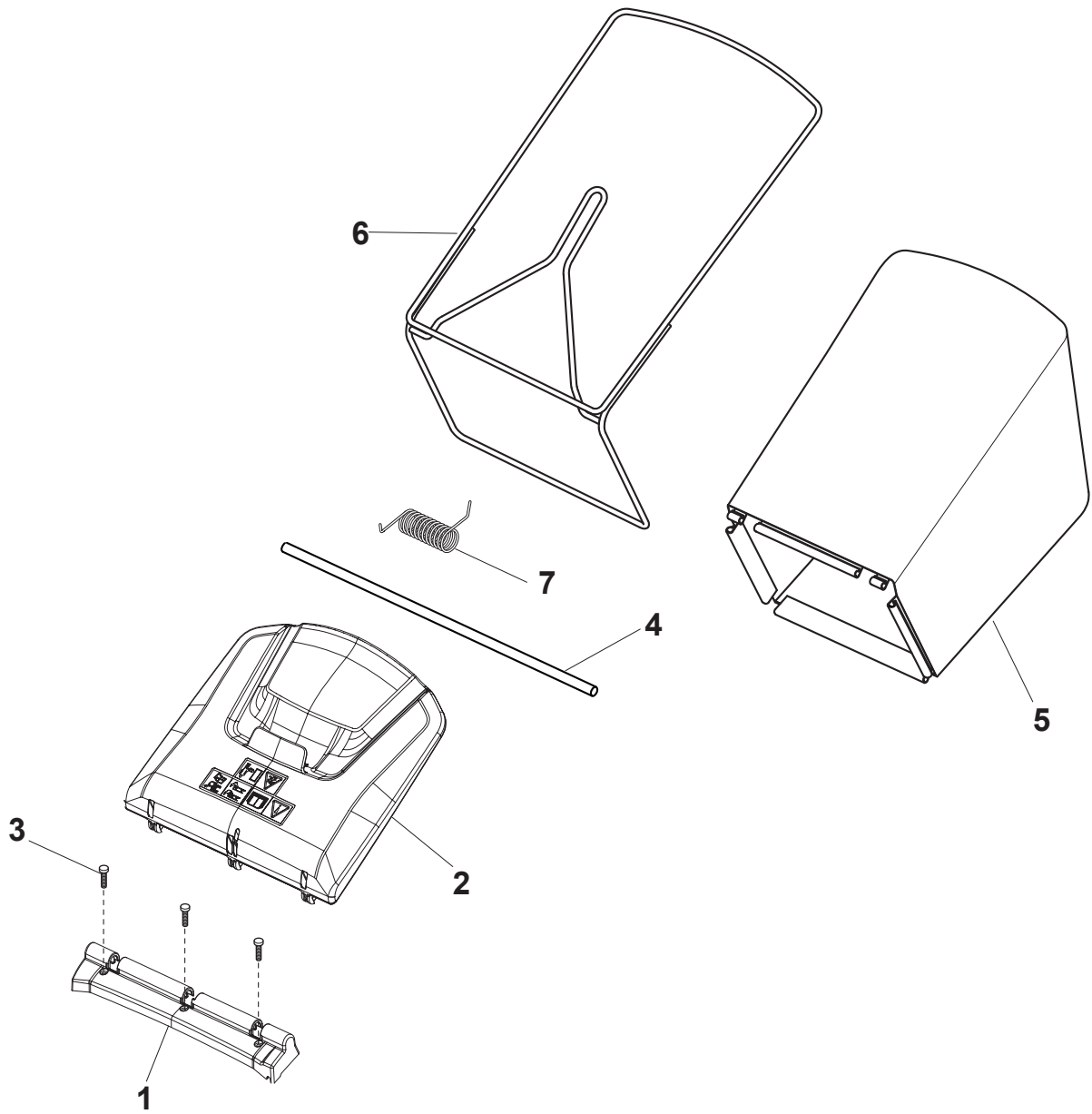
MLMP161B&S-53SP



Petrol Lawn Mower Blade

Issue 2 - 2016

| Fig. | Q.ty | Part No | Description | Notes |
|------|------|-------------|------------------------------------|---------------------------|
| 1 | 1 | 122465607/3 | Hub With Pulley, Crankshaft Ø 22.2 | for GGP and B&S Engines |
| 2 | 1 | 181004409/0 | Mulching Blade | |
| 3 | 1 | 112508125/0 | Elastic Washer | |
| 4 | 1 | 112523080/0 | Washer | |
| 5 | 1 | 112735698/0 | Screw | for GGP-B&S-HONDA Engines |
| 6 | 1 | 112139100/0 | Key | for GGP and B&S Engines |
| 7 | 3 | 112735108/1 | Screw | for GGP-B&S-HONDA Engines |



MLMP161B&S-53SP



Petrol Lawn Mower Grass-Catcher

Issue 2 - 2016

| Fig. | Q.ty | Part No | Description | Notes |
|------|------|-------------|---------------------------|-------|
| 1 | 1 | 322109569/0 | Black Stone Guard Support | |
| 2 | 1 | 322600308/0 | Stone Guard, Black | |
| 3 | 3 | 112728697/0 | Screw | |
| 4 | 1 | 122517884/0 | Pin | |
| 5 | 1 | 181102350/0 | Cancas GrassCatcher | |
| 6 | 1 | 181006410/0 | Fabric Box Frame | |
| 7 | 1 | 122450479/0 | Spring | |

| code | pos. | q.ty | page | | | | | | | | | | |
|-------------|------|------|-------|-------------|----|---|-------|-------------|----|---|-------|--|--|
| 112139100/0 | 6 | 1 | p. 19 | 122519820/0 | 32 | 2 | p. 3 | 381007416/2 | 2 | 4 | p. 13 | | |
| 112154210/0 | 45 | 2 | p. 3 | 122570110/1 | 27 | 1 | p. 3 | 381007417/2 | 4 | 2 | p. 13 | | |
| 112154510/0 | 4 | 1 | p. 7 | 122570120/1 | 28 | 1 | p. 3 | 381007559/0 | 1 | 1 | p. 7 | | |
| 112154510/0 | 6 | 1 | p. 9 | 122601914/0 | 60 | 1 | p. 3 | 381030108/0 | 12 | 1 | p. 7 | | |
| 112154510/0 | 7 | 2 | p. 17 | 122601915/0 | 61 | 1 | p. 3 | 381030117/0 | 8 | 1 | p. 9 | | |
| 112154510/0 | 10 | 2 | p. 15 | 122601932/0 | 62 | 1 | p. 3 | 381302883/0 | 23 | 1 | p. 3 | | |
| 112154510/0 | 11 | 1 | p. 3 | 122671656/0 | 46 | 1 | p. 3 | 381302891/0 | 24 | 1 | p. 3 | | |
| 112154510/0 | 18 | 1 | p. 7 | 122753000/0 | 30 | 2 | p. 3 | 381600400/0 | 4 | 1 | p. 11 | | |
| 112436051/0 | 35 | 2 | p. 3 | 125943004/0 | 5 | 1 | p. 3 | | | | | | |
| 112508125/0 | 3 | 1 | p. 19 | 133320022/0 | 2 | 1 | p. 11 | | | | | | |
| 112521330/0 | 3 | 1 | p. 7 | 135064379/0 | 42 | 1 | p. 3 | | | | | | |
| 112521330/0 | 12 | 2 | p. 15 | 181003116/0 | 21 | 1 | p. 3 | | | | | | |
| 112521371/0 | 40 | 2 | p. 3 | 181003437/0 | 13 | 1 | p. 7 | | | | | | |
| 112523000/1 | 6 | 4 | p. 7 | 181003438/1 | 14 | 1 | p. 7 | | | | | | |
| 112523040/0 | 12 | 1 | p. 3 | 181004409/0 | 2 | 1 | p. 19 | | | | | | |
| 112523050/0 | 41 | 2 | p. 3 | 181006410/0 | 6 | 1 | p. 21 | | | | | | |
| 112523080/0 | 4 | 1 | p. 19 | 181030087/0 | 15 | 1 | p. 7 | | | | | | |
| 112604896/0 | 4 | 2 | p. 17 | 181102350/0 | 5 | 1 | p. 21 | | | | | | |
| 112608600/0 | 29 | 4 | p. 3 | 322034002/0 | 15 | 1 | p. 15 | | | | | | |
| 112645708/0 | 17 | 1 | p. 15 | 322042068/0 | 39 | 2 | p. 3 | | | | | | |
| 112674550/0 | 44 | 1 | p. 3 | 322055262/0 | 1 | 1 | p. 3 | | | | | | |
| 112689500/0 | 48 | 2 | p. 3 | 322055263/0 | 2 | 1 | p. 3 | | | | | | |
| 112727784/0 | 16 | 1 | p. 7 | 322055524/0 | 4 | 1 | p. 5 | | | | | | |
| 112727788/0 | 5 | 1 | p. 9 | 322060271/1 | 8 | 1 | p. 15 | | | | | | |
| 112727801/0 | 3 | 6 | p. 15 | 322076570/1 | 3 | 1 | p. 11 | | | | | | |
| 112727803/0 | 5 | 2 | p. 17 | 322108315/0 | 1 | 1 | p. 17 | | | | | | |
| 112727812/0 | 7 | 4 | p. 7 | 322108316/0 | 6 | 1 | p. 15 | | | | | | |
| 112728300/0 | 1 | 1 | p. 11 | 322109569/0 | 1 | 1 | p. 21 | | | | | | |
| 112728531/1 | 9 | 2 | p. 15 | 322110643/0 | 3 | 2 | p. 13 | | | | | | |
| 112728697/0 | 2 | 6 | p. 5 | 322110644/0 | 5 | 2 | p. 13 | | | | | | |
| 112728697/0 | 3 | 3 | p. 21 | 322140246/0 | 16 | 1 | p. 15 | | | | | | |
| 112728697/0 | 8 | 5 | p. 3 | 322226217/0 | 5 | 1 | p. 5 | | | | | | |
| 112728697/0 | 14 | 1 | p. 15 | 322393742/0 | 6 | 1 | p. 5 | | | | | | |
| 112728697/0 | 34 | 4 | p. 3 | 322399835/0 | 10 | 2 | p. 7 | | | | | | |
| 112728698/0 | 19 | 4 | p. 3 | 322500113/0 | 1 | 1 | p. 5 | | | | | | |
| 112728699/0 | 3 | 2 | p. 5 | 322545152/0 | 18 | 2 | p. 3 | | | | | | |
| 112728699/0 | 4 | 5 | p. 3 | 322545213/0 | 4 | 2 | p. 15 | | | | | | |
| 112728699/0 | 7 | 6 | p. 15 | 322551639/0 | 17 | 1 | p. 7 | | | | | | |
| 112728702/0 | 1 | 1 | p. 11 | 322600208/0 | 38 | 2 | p. 3 | | | | | | |
| 112728704/1 | 43 | 5 | p. 3 | 322600208/0 | 37 | 2 | p. 3 | | | | | | |
| 112735108/1 | 7 | 3 | p. 19 | 322600308/0 | 2 | 1 | p. 21 | | | | | | |
| 112735120/0 | 51 | 2 | p. 3 | 322600309/0 | 2 | 1 | p. 17 | | | | | | |
| 112735698/0 | 5 | 1 | p. 19 | 322600310/0 | 5 | 1 | p. 15 | | | | | | |
| 112792611/0 | 47 | 2 | p. 3 | 322602026/0 | 3 | 1 | p. 3 | | | | | | |
| 112815200/0 | 11 | 2 | p. 15 | 322602027/0 | 9 | 1 | p. 3 | | | | | | |
| 112815270/0 | 16 | 1 | p. 3 | 322602028/0 | 10 | 1 | p. 3 | | | | | | |
| 118120061/0 | 5 | 1 | p. 11 | 322608567/0 | 50 | 1 | p. 3 | | | | | | |
| 118203853/0 | 9 | 2 | p. 17 | 322680017/0 | 8 | 2 | p. 7 | | | | | | |
| 118204136/0 | 6 | 1 | p. 11 | 322722817/0 | 1 | 1 | p. 9 | | | | | | |
| 118204137/0 | 6 | 1 | p. 11 | 322722818/0 | 4 | 1 | p. 9 | | | | | | |
| 119035000/0 | 13 | 1 | p. 15 | 322778475/0 | 15 | 1 | p. 3 | | | | | | |
| 119216035/0 | 1 | 8 | p. 13 | 322778477/0 | 20 | 1 | p. 3 | | | | | | |
| 119216035/0 | 26 | 2 | p. 3 | 322785305/1 | 33 | 2 | p. 3 | | | | | | |
| 122131750/0 | 9 | 2 | p. 7 | 322806639/0 | 6 | 1 | p. 17 | | | | | | |
| 122430313/0 | 2 | 1 | p. 7 | 322806644/0 | 5 | 2 | p. 7 | | | | | | |
| 122450456/0 | 3 | 1 | p. 17 | 322806647/0 | 25 | 1 | p. 3 | | | | | | |
| 122450477/0 | 6 | 1 | p. 3 | 322806649/0 | 49 | 1 | p. 3 | | | | | | |
| 122450479/0 | 7 | 1 | p. 21 | 322820086/0 | 3 | 1 | p. 9 | | | | | | |
| 122450480/0 | 17 | 1 | p. 3 | 322981471/1 | 7 | 1 | p. 3 | | | | | | |
| 122450487/0 | 7 | 2 | p. 9 | 381002046/0 | 31 | 1 | p. 3 | | | | | | |
| 122465607/3 | 1 | 1 | p. 19 | 381003253/0 | 11 | 1 | p. 7 | | | | | | |
| 122517869/1 | 8 | 1 | p. 17 | 381003475/0 | 14 | 1 | p. 3 | | | | | | |
| 122517873/0 | 13 | 1 | p. 3 | 381004779/0 | 7 | 1 | p. 5 | | | | | | |
| 122517884/0 | 4 | 1 | p. 21 | 381005195/0 | 1 | 1 | p. 15 | | | | | | |
| | | | | 381005197/0 | 2 | 1 | p. 15 | | | | | | |
| | | | | 381007227/0 | 2 | 1 | p. 9 | | | | | | |