

# Parts Catalogue

for model  
**BG PRO SERIE-2**

- Use GLOBAL GARDEN PRODUCT Genuine Spare Parts specified in the parts list for repair and/or replacement.
- The contents described in the parts list may change due to improvement.
- The drawings of the spare parts are only indicative and might not represent the part in question exactly.
- The indications "right" - "left" - "front" - "rear" refer to the position of the operator when using the machine.
- When placing orders of parts for repair and/or replacement, make sure that the illustrated parts list is the one applying to the machine's year of manufacture, as shown on the identification plate attached to the machine.

© Copyright 2017 Global Garden Products

All content is subject to copyright by Global Garden Products and may not be reproduced in whole or in part by any means, electronic or otherwise, without prior written approval.

THIS INFORMATION IS NOT INTENDED FOR SALE OR RESALE, AND THIS NOTICE MUST REMAIN ON ALL COPIES.



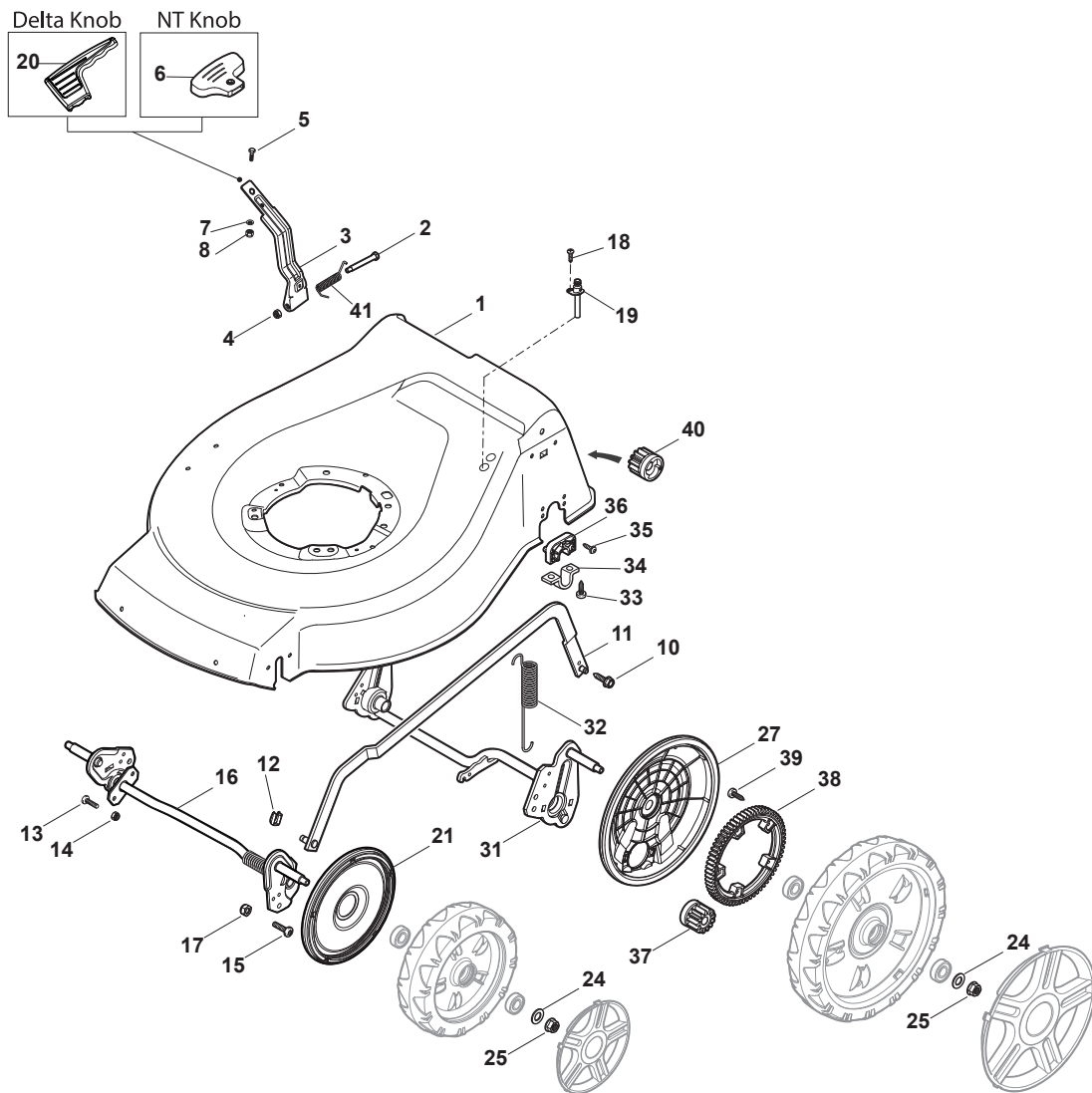


Fig.	Q.ty	Part No	Description	Notes
1	1	381004732/0	Grey Deck	
2	1	122534131/0	Pin	
3	1	381003398/0	Lever, Height Adjustment	Galvanized - Black
3	1	381003399/0	Lever, Height Adjustment	Galvanized - White
4	1	112154510/0	Nut	
5	1	112788512/0	Screw	
6	1	322394503/0	Knob	NT Knob
7	1	112521310/0	Washer	
8	1	112150000/0	Nut	
10	1	122943013/0	Screw	
11	1	381002032/0	Rod, Height Adjustment	
12	1	112436051/0	Plate	
13	3	112727803/0	Screw	
14	1	381003351/0	Wheels Adjusting Lever	
15	1	112727801/0	Screw	
16	1	381002887/1	Front Wheel Axle	
17	1	112154510/0	Nut	
18	1	112728450/0	Screw	
19	1	322034002/0	Washing Connection	
20	1	322394522/0	Knob	Delta Knob
21	2	322600145/0	Protection, Wheel	
24	4	112521350/0	Washer	
25	4	112155000/0	Nut	
27	2	322600208/0	Protection, Wheel	
31	1	381302835/1	Axle, Rear Wheels	
32	1	122450460/0	Spring	
33	4	112728697/0	Screw	
34	2	322545152/0	Plate	
35	4	112728697/0	Screw	
36	2	322785304/1	Support	
37	1	122570134/0	Left Pinion	
38	2	322120115/0	Wheels Crown	
39	6	112728706/0	Screw	
40	1	122570133/0	Right Pinion	
41	1	122446192/0	Spring	

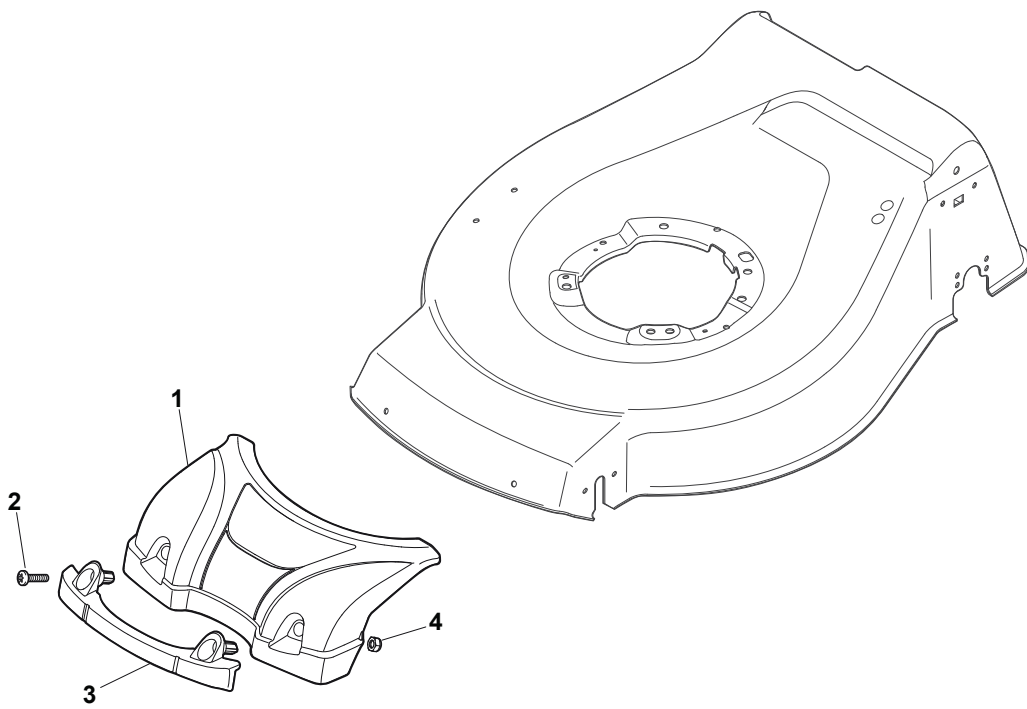


Fig.	Q.ty	Part No	Description	Notes
1	1	322226196/0	Mask, Grey	
2	2	112727799/0	Screw	
3	1	322393638/0	Handlegrip Black	
4	2	112154510/0	Nut	

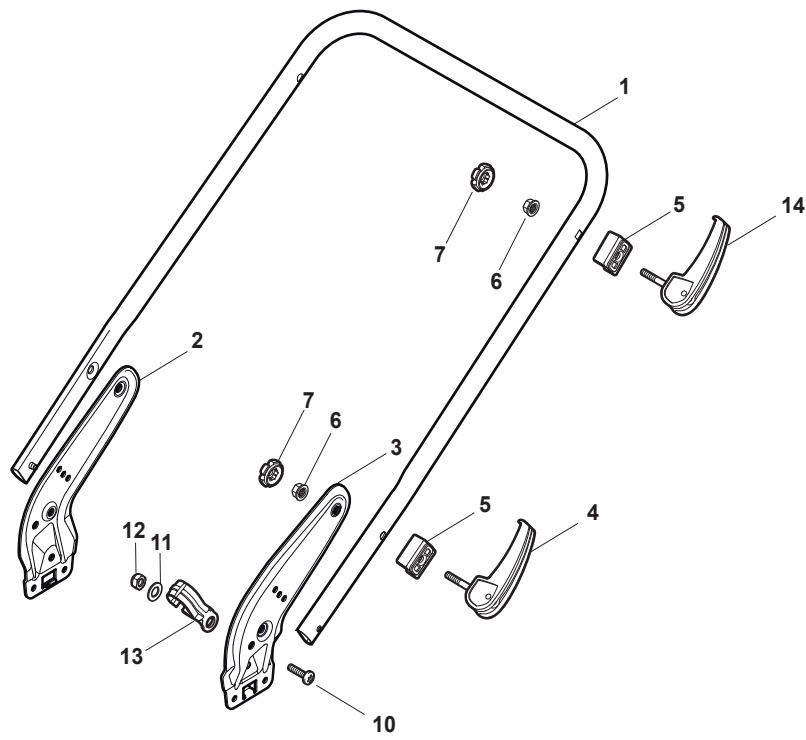


Fig.	Q.ty	Part No	Description	Notes
1	1	381006719/0	Handle Lower Part	
2	1	381005149/0	Right Bracket	Black
3	1	381005151/0	Left Bracket	Black
4	4	381003253/0	Handle	
5	4	322680016/0	Washer	
6	4	122131750/0	Nut	
7	4	322399835/0	Knob	
10	2	112760605/0	Screw	
11	2	125038002/1	Bushing	
12	2	112155000/0	Nut	
13	1	322192156/0	Clip	
14	2	381103350/0	Handle	

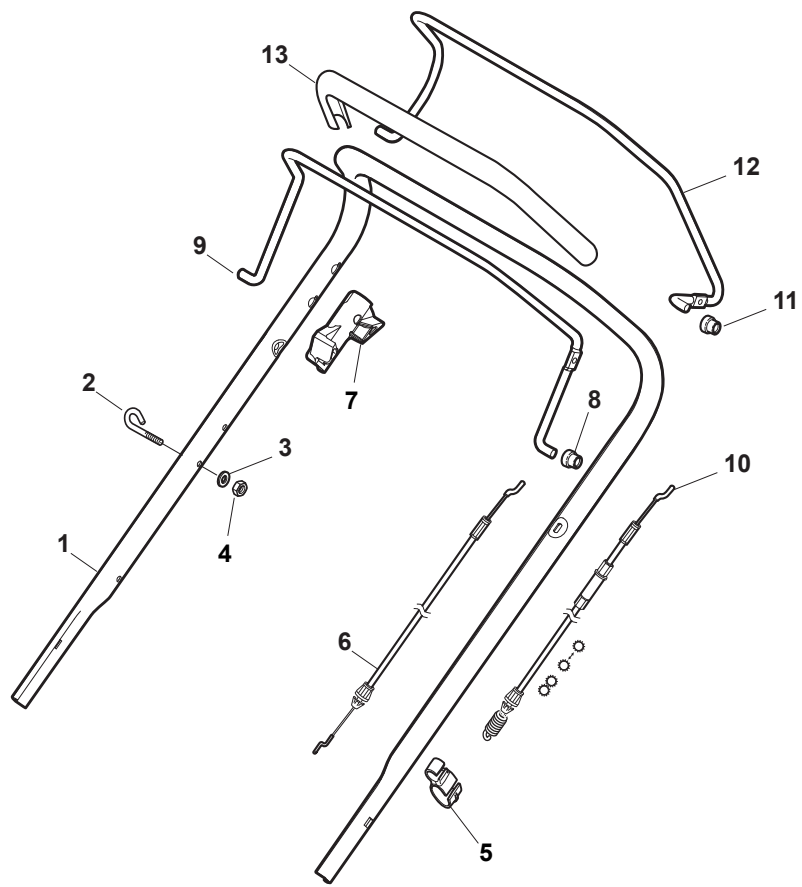




Fig.	Q.ty	Part No	Description	Notes
1	1	381007574/0	Handle, Upper Part	(for STEPLESS Variator)
2	1	122430313/0	Guide Spring	
3	1	112521330/0	Washer	
4	1	112154510/0	Nut	
5	1	118390020/0	Conduit Clip	
6	1	181030070/0	Cable, Thread Engine Brake	
7	1	322545204/0	Fulcrum Pin	
8	1	122041966/0	Bushing	
9	1	181003300/1	Lever, Engine Brake	
10	1	381030092/1	Cable Rear Drive	
11	1	122041966/0	Bushing	
12	1	181003301/0	Drive Control Lever	
13	1	122291050/0	Handgrip Black	

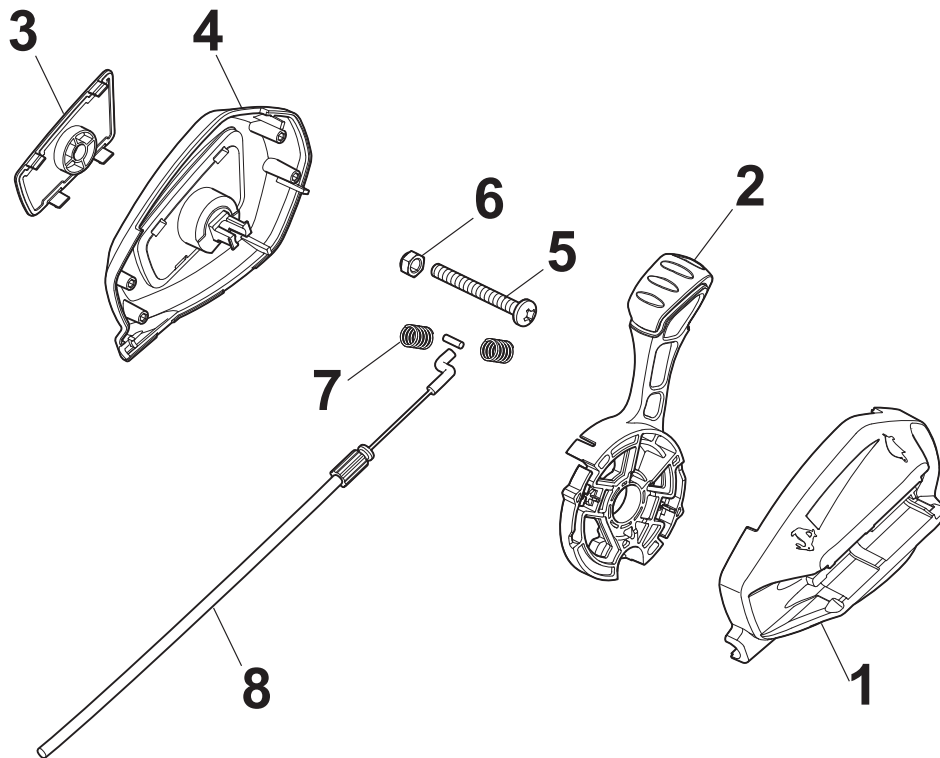


Fig.	Q.ty	Part No	Description	Notes
1	1	322722817/0	External Protection	
2	1	381007227/0	Variator Lever Assy	
3	1	322820086/0	Cap	
4	1	322722816/0	Internal Protection	
5	1	112727788/0	Screw	
6	1	112154510/0	Nut	
7	2	122450487/0	Spring	
8	1	381030110/0	Variator Cable	

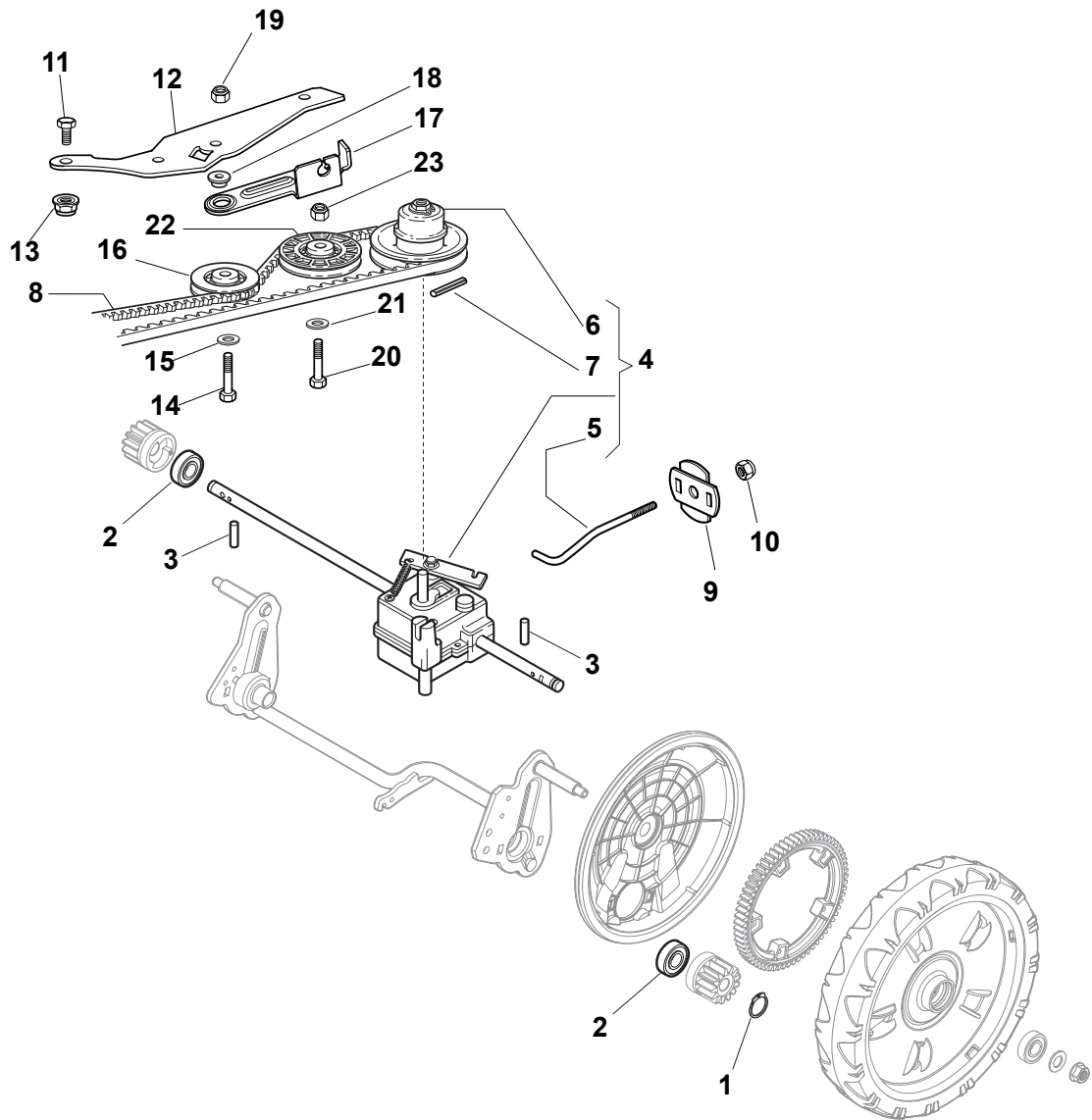


Fig.	Q.ty	Part No	Description	Notes
1	2	112608600/0	Seeger	
2	2	119216035/0	Bearing	
3	2	122753000/0	Pin	
4	1	181003096/3	Gear Box	
5	1	122033285/0	Adjustment Rod	
6	1	122601932/0	Pulley	
7	1	112645700/0	Elastic Pin	
8	1	135064010/0	Belt	
9	1	322675113/0	Washer	
10	1	112154510/0	Nut	
11	1	112791011/0	Screw	
12	1	322806625/2	Support	
13	1	112292102/0	Nut	
14	1	112689500/0	Screw	
15	1	112523050/0	Washer	
16	1	122601915/0	Pulley	
17	1	322806623/0	Pulley Support	
18	1	122671656/0	Washer	
19	1	112154510/0	Nut	
20	1	112674700/0	Screw	
21	1	112523050/0	Washer	
22	1	122601914/0	Pulley	
23	1	112154510/0	Nut	

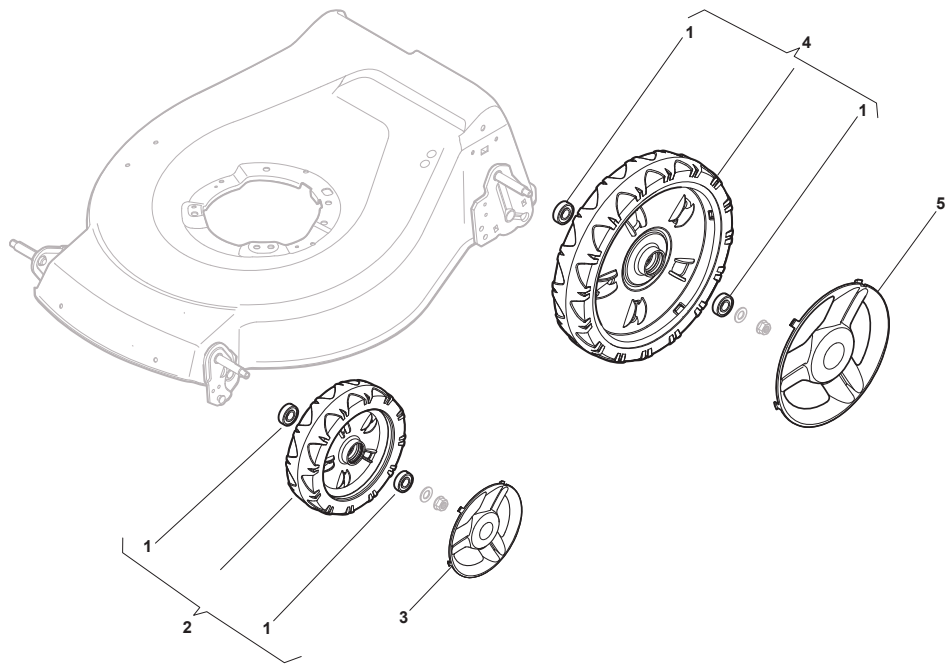


Fig.	Q.ty	Part No	Description	Notes
1	8	322042064/0	Bushing	
2	4	381007435/1	Wheel	
3	2	322110687/0	Hub Cap Grey	Grey
4	2	381007436/1	Wheel	
5	2	322110641/0	Hub Cap Grey	Grey

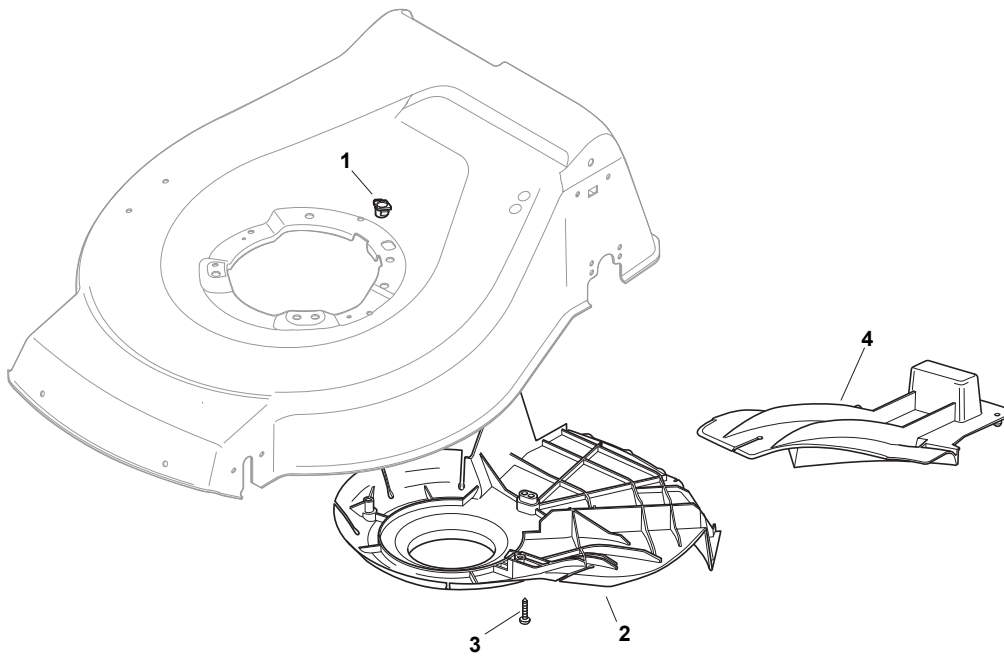




Fig.	Q.ty	Part No	Description	Notes
1	1	322291150/0	Rubber Insert	
2	1	322060197/3	Belt Protection	
3	3	112728531/0	Screw	
4	1	122140222/0	Mulching Deflector	

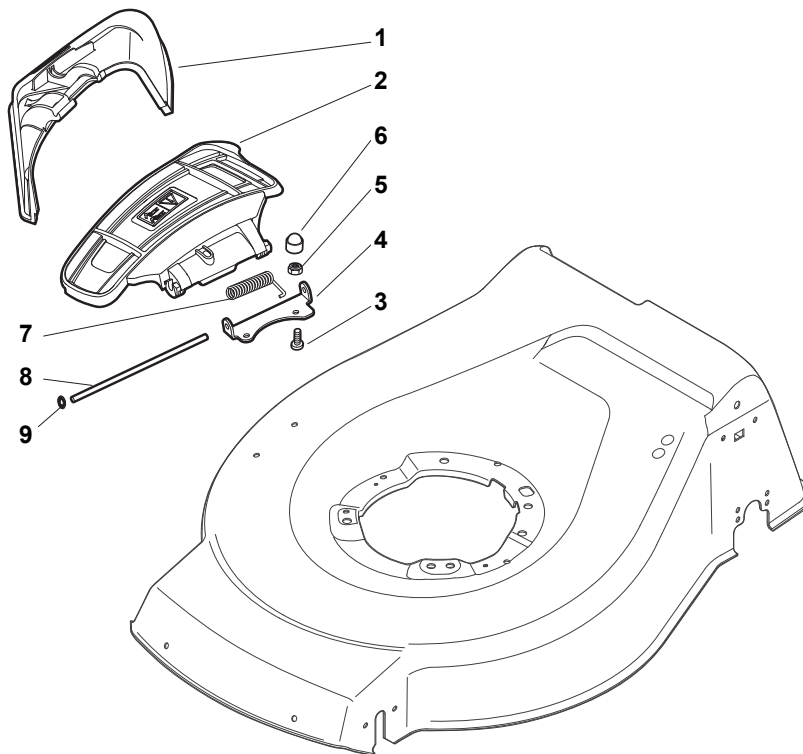


Fig.	Q.ty	Part No	Description	Notes
1	1	322108295/1	Side Ejection Conveyor	
2	1	322600313/0	Ejection Guard	
3	2	112727803/0	Screw	
4	1	322806639/0	Fulcrum Pin	
5	2	112154510/0	Nut	
6	2	118203853/0	Cap	
7	1	122450456/0	Spring	
8	1	122517869/1	Pin	
9	2	112604896/0	Crown Fastener	

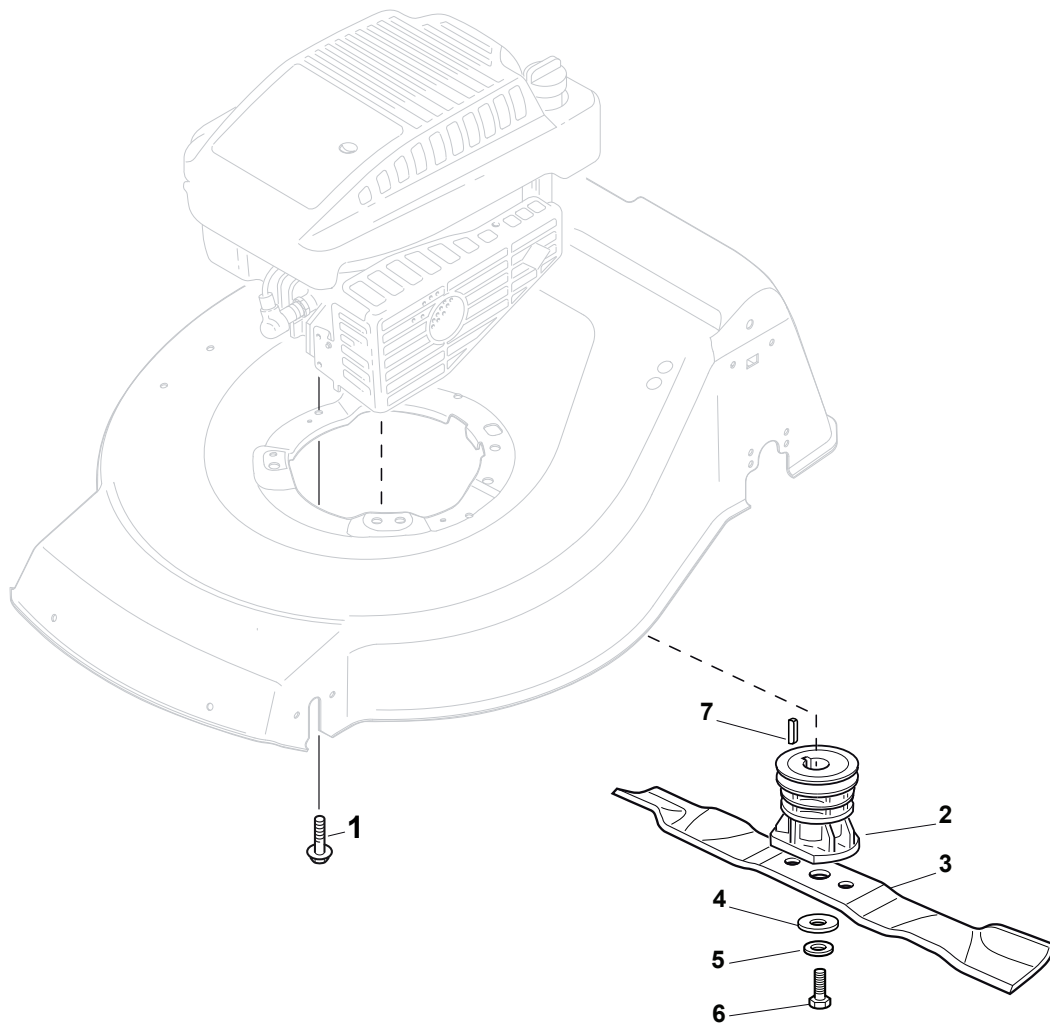


Fig.	Q.ty	Part No	Description	Notes
1	3	112735108/1	Screw	
2	1	122465608/2	Hub With Pulley, Crankshaft Ø 25	
3	1	181004381/1	Blade Standard	
4	1	122160400/0	Elastic Disc	
5	1	112523080/0	Washer	
6	1	112735698/0	Screw	
7	1	112139150/0	Feather, Crankshaft Ø 25	

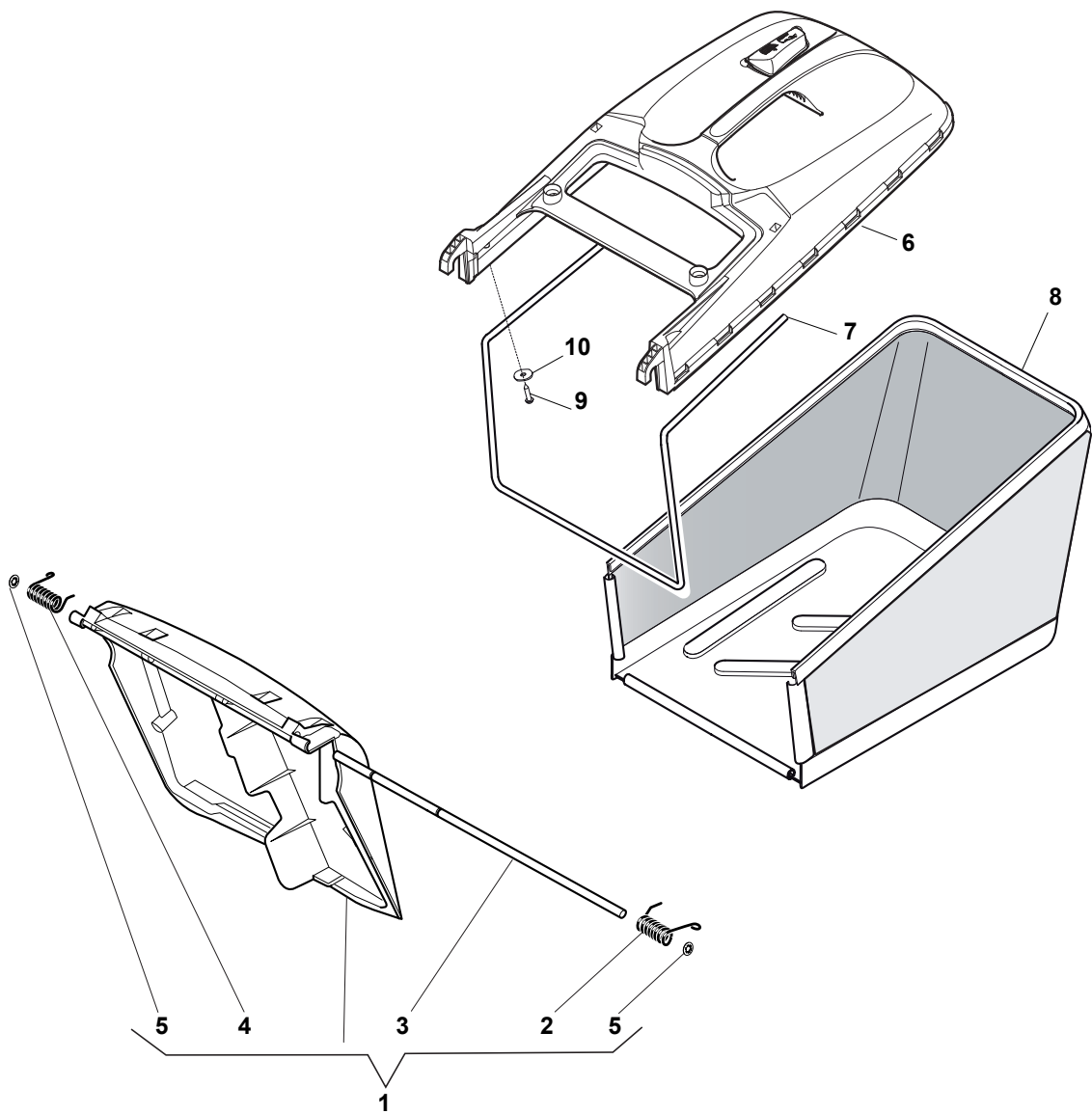


Fig.	Q.ty	Part No	Description	Notes
1	1	381008081/2	Stone Guard, Black	Black
2	1	122450466/0	Left Spring	
3	1	122517882/0	Pin	
4	1	122450465/0	Right Spring	
5	2	112604899/0	Crown Fastener	
6	1	381486030/0	Grass-Box, Upper Part	Grey
7	1	122608525/1	Stiffening Lower	
8	1	181002211/0	Box, Fabric	
9	2	112728680/0	Screw	
10	2	112523050/0	Washer	

code	pos.	q.ty	page				
112139150/0	7	1	p. 21	122534131/0	2	1	p. 3
112150000/0	8	1	p. 3	122570133/0	40	1	p. 3
112154510/0	4	1	p. 3	122570134/0	37	1	p. 3
112154510/0	4	1	p. 9	122601914/0	22	1	p. 13
112154510/0	4	2	p. 5	122601915/0	16	1	p. 13
112154510/0	5	2	p. 19	122601932/0	6	1	p. 13
112154510/0	6	1	p. 11	122608525/1	7	1	p. 23
112154510/0	10	1	p. 13	122671656/0	18	1	p. 13
112154510/0	17	1	p. 3	122753000/0	3	2	p. 13
112154510/0	19	1	p. 13	122943013/0	10	1	p. 3
112154510/0	23	1	p. 13	125038002/1	11	2	p. 7
112155000/0	12	2	p. 7	135064010/0	8	1	p. 13
112155000/0	25	4	p. 3	181002211/0	8	1	p. 23
112292102/0	13	1	p. 13	181003096/3	4	1	p. 13
112436051/0	12	1	p. 3	181003300/1	9	1	p. 9
112521310/0	7	1	p. 3	181003301/0	12	1	p. 9
112521330/0	3	1	p. 9	181004381/1	3	1	p. 21
112521350/0	24	4	p. 3	181030070/0	6	1	p. 9
112523050/0	10	2	p. 23	322034002/0	19	1	p. 3
112523050/0	15	1	p. 13	322042064/0	1	8	p. 15
112523050/0	21	1	p. 13	322060197/3	2	1	p. 17
112523080/0	5	1	p. 21	322108295/1	1	1	p. 19
112604896/0	9	2	p. 19	322110641/0	5	2	p. 15
112604899/0	5	2	p. 23	322110687/0	3	2	p. 15
112608600/0	1	2	p. 13	322120115/0	38	2	p. 3
112645700/0	7	1	p. 13	322192156/0	13	1	p. 7
112674700/0	20	1	p. 13	322226196/0	1	1	p. 5
112689500/0	14	1	p. 13	322291150/0	1	1	p. 17
112727788/0	5	1	p. 11	322393638/0	3	1	p. 5
112727799/0	2	2	p. 5	322394503/0	6	1	p. 3
112727801/0	15	1	p. 3	322394522/0	20	1	p. 3
112727803/0	3	2	p. 19	322399835/0	7	4	p. 7
112727803/0	13	3	p. 3	322545152/0	34	2	p. 3
112728450/0	18	1	p. 3	322545204/0	7	1	p. 9
112728531/0	3	3	p. 17	322600145/0	21	2	p. 3
112728680/0	9	2	p. 23	322600208/0	27	2	p. 3
112728697/0	33	4	p. 3	322600313/0	2	1	p. 19
112728697/0	35	4	p. 3	322675113/0	9	1	p. 13
112728706/0	39	6	p. 3	322680016/0	5	4	p. 7
112735108/1	1	3	p. 21	322722816/0	4	1	p. 11
112735698/0	6	1	p. 21	322722817/0	1	1	p. 11
112760605/0	10	2	p. 7	322785304/1	36	2	p. 3
112788512/0	5	1	p. 3	322806623/0	17	1	p. 13
112791011/0	11	1	p. 13	322806625/2	12	1	p. 13
118203853/0	6	2	p. 19	322806639/0	4	1	p. 19
118390020/0	5	1	p. 9	322820086/0	3	1	p. 11
119216035/0	2	2	p. 13	381002032/0	11	1	p. 3
122033285/0	5	1	p. 13	381002887/1	16	1	p. 3
122041966/0	8	1	p. 9	381003253/0	4	4	p. 7
122041966/0	11	1	p. 9	381003351/0	14	1	p. 3
122131750/0	6	4	p. 7	381003398/0	3	1	p. 3
122140222/0	4	1	p. 17	381003399/0	3	1	p. 3
122160400/0	4	1	p. 21	381004732/0	1	1	p. 3
122291050/0	13	1	p. 9	381005149/0	2	1	p. 7
122430313/0	2	1	p. 9	381005151/0	3	1	p. 7
122446192/0	41	1	p. 3	381006719/0	1	1	p. 7
122450456/0	7	1	p. 19	381007227/0	2	1	p. 11
122450460/0	32	1	p. 3	381007435/1	2	4	p. 15
122450465/0	4	1	p. 23	381007436/1	4	2	p. 15
122450466/0	2	1	p. 23	381007574/0	1	1	p. 9
122450487/0	7	2	p. 11	381008081/2	1	1	p. 23
122465608/2	2	1	p. 21	381030092/1	10	1	p. 9
122517869/1	8	1	p. 19	381030110/0	8	1	p. 11
122517882/0	3	1	p. 23	381103350/0	14	2	p. 7
				381302835/1	31	1	p. 3
				381486030/0	6	1	p. 23